

Disc 08.B741.41



Disc technical data

Axle Rear

Diameter
300 mm

Overall height (A)
43 mm

Centring diameter (B)
67 mm

Number of holes (C)
5

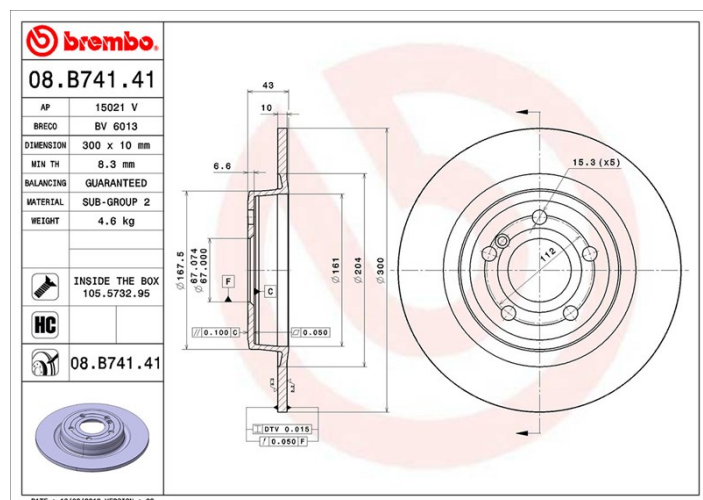
Thickness (TH)
10 mm

Minimum thickness
8,3 mm

Tightening torque
130 Nm

Unit per box
2

EANCode
8020584037485



Brand part numbers

Brembo
08.B741.41

AP
15021 V

Breco
BV 6013

Technical specifications

High Carbon disc (HC)

Thanks to the high percentage of carbon in the chemical composition of the cast iron, the HC disc provides greater damping coefficient, able to reduce vibration and noise while driving.



Disc with fixing screw

By supplying the fixing screw in the disc box, Brembo provides extra help to the mechanic if the original screw is rusty or worn to such an extent as to prevent or make it difficult to reuse.



UV Disc

The UV coating process provides a superior corrosion resistance and full disc protection.



Compatible vehicles

MERCEDES-BENZ

Model	Type	Kw	Year
SLC (R172)	180 (172.431)	115	01/16 -
SLC (R172)	200 (172.434)	135	01/16 -
SLC (R172)	250 d (172.404)	150	01/16 10/17
SLC (R172)	300 (172.438)	180	01/16 -

SLK (R172)	200 (172.434)	135	04/15 -
SLK (R172)	200 (172.448)	135	02/11 -
SLK (R172)	250 (172.447)	150	02/11 -
SLK (R172)	250 CDI / d (172.403)	150	01/12 -
SLK (R172)	300 (172.438)	180	07/15 -
SLK (R172)	350 (172.457)	225	02/11 -

OE Part number

Compatible OE codes

MERCEDES-BENZ	0004231612
MERCEDES-BENZ	1724230212
MERCEDES-BENZ	A0004231612
MERCEDES-BENZ	A1724230212