

Disc technical data

Axle Rear

Diameter
259 mm

Overall height (A)
50,6 mm

Centring diameter (B)
67 mm

Number of holes (C)
5

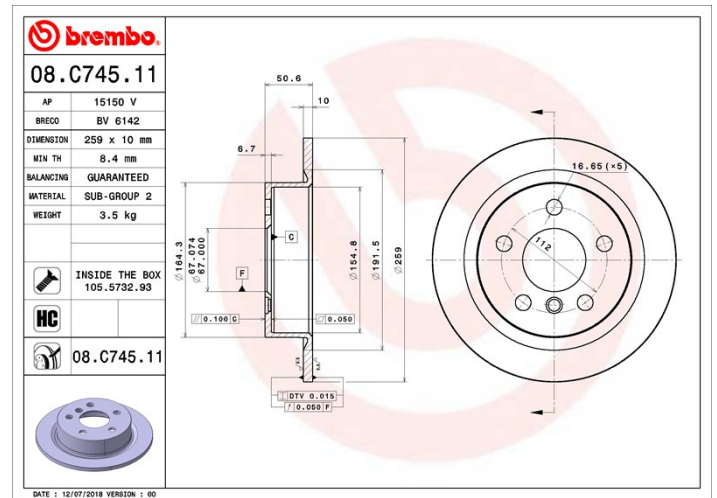
Thickness (TH)
10 mm

Minimum thickness
8,4 mm

Tightening torque
Nm

Unit per box
2

EANCode
8020584235256



Brand part numbers

Brembo
08.C745.11

AP
15150 V

Breco
BV 6142

Technical specifications

High Carbon disc (HC)

Thanks to the high percentage of carbon in the chemical composition of the cast iron, the HC disc provides greater damping coefficient, able to reduce vibration and noise while driving.

HC

Disc with fixing screw

By supplying the fixing screw in the disc box, Brembo provides extra help to the mechanic if the original screw is rusty or worn to such an extent as to prevent or make it difficult to reuse.



UV Disc

The UV coating process provides a superior corrosion resistance and full disc protection.



Compatible vehicles

MINI

| Model | Type | Kw | Year |
|------------|--------------|-----|---------|
| MINI (F55) | Cooper | 100 | 09/13 - |
| MINI (F55) | Cooper D | 85 | 10/13 - |
| MINI (F55) | Cooper S | 120 | 09/13 - |
| MINI (F55) | Cooper S | 141 | 09/13 - |
| MINI (F55) | Cooper S JCW | 155 | 09/13 - |

| | | | |
|------------------------|-------------------|-----|-------------|
| MINI (F55) | Cooper SD | 120 | 09/13 - |
| MINI (F55) | Cooper SD | 125 | 09/13 - |
| MINI (F55) | One | 75 | 11/17 - |
| MINI (F55) | One | 75 | 05/14 10/17 |
| MINI (F55) | One D | 70 | 02/14 - |
| MINI (F55) | One First | 55 | 11/17 - |
| MINI (F55) | One First | 55 | 06/14 10/17 |
| MINI (F56) | Cooper | 100 | 12/13 - |
| MINI (F56) | Cooper D | 85 | 12/13 - |
| MINI (F56) | Cooper S | 120 | 11/14 - |
| MINI (F56) | Cooper S | 141 | 12/13 - |
| MINI (F56) | Cooper S JCW | 155 | 12/13 - |
| MINI (F56) | Cooper SD | 120 | 06/14 - |
| MINI (F56) | Cooper SD | 125 | 06/14 - |
| MINI (F56) | John Cooper Works | 170 | 03/15 - |
| MINI (F56) | One | 75 | 11/17 - |
| MINI (F56) | One | 75 | 04/14 10/17 |
| MINI (F56) | One D | 70 | 03/14 - |
| MINI (F56) | One First | 55 | 11/17 - |
| MINI (F56) | One First | 55 | 07/14 10/17 |
| MINI Convertible (F57) | Cooper | 100 | 11/14 - |
| MINI Convertible (F57) | Cooper D | 85 | 12/14 - |
| MINI Convertible (F57) | Cooper S | 120 | 11/14 - |
| MINI Convertible (F57) | Cooper S | 141 | 11/14 - |
| MINI Convertible (F57) | Cooper S JCW | 155 | 11/14 - |
| MINI Convertible (F57) | Cooper SD | 120 | 05/15 - |
| MINI Convertible (F57) | Cooper SD | 125 | 05/15 - |
| MINI Convertible (F57) | John Cooper Works | 170 | 05/15 - |
| MINI Convertible (F57) | One | 75 | 11/17 - |
| MINI Convertible (F57) | One | 75 | 06/15 10/17 |

OE Part number

MINI

34216799383
