

BRAKE DISC PAINTED 08.D759.11

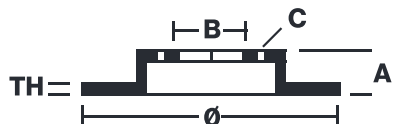
The 08.D759.11 painted brake disc is synonymous with reliability

The Brembo brake disc with special UV paint treatment guarantees superior corrosion resistance for the product, thanks to the protective coating on the outer edges and on the disc hub. The UV paint not only gives the disc a clean, shiny appearance but is also beneficial for the environment as the water-based UV paint treatment does not require the use of chemical solvents and is a low energy consumption process.



- ✓ OE-equivalent
- ✓ Brembo quality
- ✓ ECE-R90 certificate
- ✓ Safety
- ✓ High carbon
- ✓ Anti-corrosion
- ✓ Fastening screws

Technical specifications



EAN code
8020584312964

Front and rear

Thickness (TH)
12 mm

Height (A)
44 mm

Brake disc type
Solid

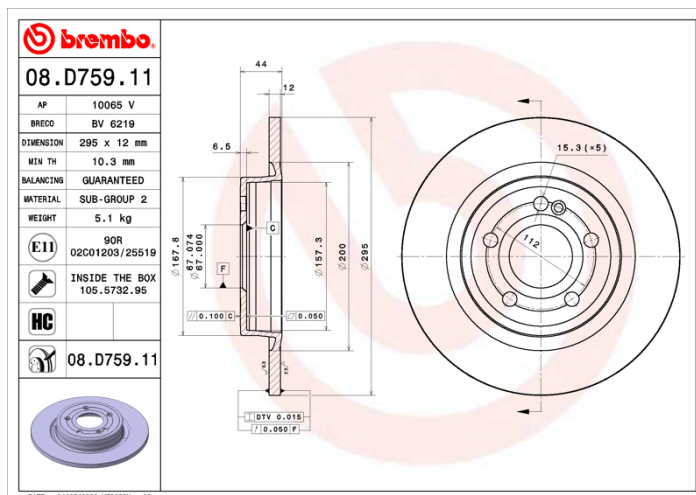
Centering (B)
67 mm

Units per box
2

Diameter
295 mm

Number of holes (C)
5

Mn. thickness
10,3 mm



COMPATIBLE VEHICLES

MERCEDES-BENZ

A-CLASS (W177)	A 200 (177.087)	120/163	03/18
A-CLASS (W177)	A 200 (177.087)	110/150	06/18

A-CLASS (W177)	A 200 d 4-matic (177.013)	110/150	10/19
A-CLASS (W177)	A 220 (177.044)	140/190	07/18
A-CLASS (W177)	A 220 4-matic (177.045)	140/190	07/18 10/19
A-CLASS (W177)	A 220 d (177.014)	140/190	11/18
A-CLASS (W177)	A 220 d 4-matic (177.015)	140/190	10/19
A-CLASS (W177)	A 250 (177.046)	165/224	03/18
A-CLASS (W177)	A 250 4-matic (177.047)	165/224	07/18
A-CLASS Saloon (V177)	A 200 (177.187)	110/150	09/18
A-CLASS Saloon (V177)	A 200 (177.187)	120/163	09/18
A-CLASS Saloon (V177)	A 200 d 4-matic (177.113)	110/150	10/19
A-CLASS Saloon (V177)	A 220 (177.144)	140/190	01/19
A-CLASS Saloon (V177)	A 220 4-matic (177.145)	140/190	09/18
A-CLASS Saloon (V177)	A 220 d (177.114)	140/190	08/19
A-CLASS Saloon (V177)	A 220 d 4-matic (177.115)	140/190	10/19
A-CLASS Saloon (V177)	A 250 (177.146)	165/224	09/18
A-CLASS Saloon (V177)	A 250 4-matic (177.147)	165/224	09/18
B-CLASS Sports Tourer (W247)	B 180 d (247.010)	85/116	10/20
B-CLASS Sports Tourer (W247)	B 200 4-matic (247.088)	120/163	10/20
B-CLASS Sports Tourer (W247)	B 220 (247.044)	140/190	04/19
B-CLASS Sports Tourer (W247)	B 220 4-matic (247.045)	140/190	01/19
B-CLASS Sports Tourer (W247)	B 220 d (247.014)	140/190	12/18
B-CLASS Sports Tourer (W247)	B 220 d 4-matic (247.015)	140/190	10/19
CLA (C118)	CLA 200 (118.387)	110/150	03/19
CLA (C118)	CLA 200 (118.387)	120/163	03/19
CLA (C118)	CLA 200 d (118.312)	110/150	04/19
CLA (C118)	CLA 200 d 4-matic (118.313)	110/150	04/19
CLA (C118)	CLA 220 4-matic (118.345)	140/190	03/19
CLA (C118)	CLA 220 d (118.314)	140/190	04/19
CLA (C118)	CLA 220 d 4-matic (118.315)	140/190	07/20
CLA Shooting Brake (X118)	CLA 180 (118.684)	100/136	06/19
CLA Shooting Brake (X118)	CLA 180 d (118.603)	85/116	06/19
CLA Shooting Brake (X118)	CLA 200 (118.687)	110/150	06/19
CLA Shooting Brake (X118)	CLA 200 (118.687)	120/163	06/19
CLA Shooting Brake (X118)	CLA 200 d (118.612)	110/150	06/19
CLA Shooting Brake (X118)	CLA 200 d 4-matic (118.613)	110/150	10/19
CLA Shooting Brake (X118)	CLA 220 d (118.614)	140/190	06/19
CLA Shooting Brake (X118)	CLA 220 d 4-matic (118.615)	140/190	10/19
CLA Shooting Brake (X118)	CLA 250 e (118.686)	160/218	06/20
GLA (H247)	GLA 180 (247.784)	100/136	07/20
GLA (H247)	GLA 180 d (247.710)	85/116	03/20
GLA (H247)	GLA 200 (247.787)	120/163	02/20
GLA (H247)	GLA 200 4-matic (247.788)	120/163	10/20
GLA (H247)	GLA 200 d (247.712)	110/150	02/20
GLA (H247)	GLA 200 d 4-matic (247.713)	110/150	02/20
GLA (H247)	GLA 250 e (247.786)	160/218	06/20
GLB (X247)	GLB 180 (247.684)	100/136	04/20
GLB (X247)	GLB 180 d (247.610)	85/116	08/19

GLB (X247)	GLB 200 (247.687)	120/163	08/19
GLB (X247)	GLB 200 d (247.612)	110/150	08/19
GLB (X247)	GLB 200 d 4-matic (247.613)	110/150	08/19

COMPATIBLE OE PART NUMBERS

2474230212

MERCEDES-BENZ