

Disc 08.N258.21

Disc technical data

Axle Rear

Diameter
316 mm

Overall height (A)
50,8 mm

Centring diameter (B)
63,5 mm

Number of holes (C)
5

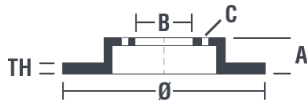
Thickness (TH)
11 mm

Minimum thickness
9,5 mm

Tightening torque 
Nm

Unit per box
2

EANCode
8020584229606

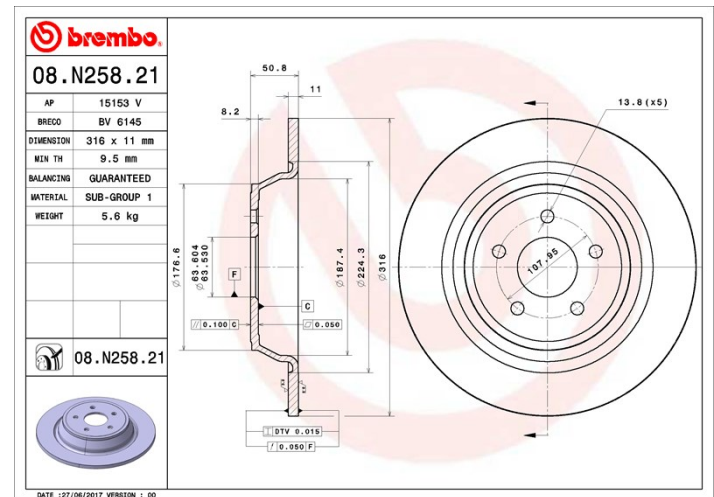


Brand part numbers

Brembo
08.N258.21

AP
15153 V

Breco
BV 6145



Technical specifications

UV Disc

The UV coating process provides a superior corrosion resistance and full disc protection.



Compatible vehicles

FORD

Model	Type	Kw	Year
KUGA II (DM2)	1.5 EcoBoost	88	01/16 -
KUGA II (DM2)	1.5 EcoBoost	110	09/14 -
KUGA II (DM2)	1.5 EcoBoost 4x4	134	09/14 -
KUGA II (DM2)	1.5 TDCi	88	07/16 -
KUGA II (DM2)	1.6 EcoBoost	110	03/13 -
KUGA II (DM2)	1.6 EcoBoost 4x4	132	10/12 04/15
KUGA II (DM2)	1.6 EcoBoost 4x4	110	03/13 -

KUGA II (DM2)	1.6 EcoBoost 4x4	134	03/13 -
KUGA II (DM2)	2.0 EcoBoost 4x4	178	08/17 -
KUGA II (DM2)	2.0 TDCi	85	03/13 -
KUGA II (DM2)	2.0 TDCi	100	03/13 -
KUGA II (DM2)	2.0 TDCi	103	03/13 -
KUGA II (DM2)	2.0 TDCi	88	09/14 -
KUGA II (DM2)	2.0 TDCi	110	09/14 -
KUGA II (DM2)	2.0 TDCi 4x4	100	03/13 -
KUGA II (DM2)	2.0 TDCi 4x4	103	03/13 -
KUGA II (DM2)	2.0 TDCi 4x4	120	03/13 -
KUGA II (DM2)	2.0 TDCi 4x4	110	09/14 -
KUGA II (DM2)	2.0 TDCi 4x4	132	09/14 -
KUGA II (DM2)	2.5	110	01/14 -
KUGA II Van	1.5 EcoBoost	110	09/14 -
KUGA II Van	1.5 EcoBoost 4x4	134	09/14 -
KUGA II Van	2.0 TDCi	110	09/14 -
KUGA II Van	2.0 TDCi 4x4	110	09/14 -
KUGA II Van	2.0 TDCi 4x4	132	09/14 -
MONDEO V Tumier (CF)	1.0 EcoBoost	92	02/15 -
MONDEO V Tumier (CF)	1.5 EcoBoost	118	09/14 -
MONDEO V Tumier (CF)	1.5 TDCi	88	03/15 -
MONDEO V Tumier (CF)	1.6 TDCi	85	09/14 -
MONDEO V Tumier (CF)	2.0 EcoBoost	149	09/14 -
MONDEO V Tumier (CF)	2.0 EcoBoost	176	09/14 -
MONDEO V Tumier (CF)	2.0 TDCi	110	09/14 -
MONDEO V Tumier (CF)	2.0 TDCi	132	09/14 -
MONDEO V Tumier (CF)	2.0 TDCi 4x4	110	02/15 -
MONDEO V Tumier (CF)	2.0 TDCi 4x4	132	02/15 -
MONDEO V Tumier (CF)	2.0 TDCi Bi-Turbo	154	03/15 -

OE Part number

Compatible OE codes

FORD	2008440
FORD	5202205
FORD	5338889
FORD	DG9C2A315CD
FORD	GV612A315AA
FORD USA	DG9Z2C026B
FORD USA	DG9Z2C026D
LINCOLN	DG9Z2C026B
LINCOLN	DG9Z2C026D