

Disc
09.4869.44

brembo
AFTERMARKET

Disc technical data

Axle Front

Diameter (Diameter)
284 mm

Overall height (A)
43,5 mm

Centring diameter (B)
67 mm

Number of holes (C)
5

Thickness (TH)
22 mm

Minimum thickness
19,4 mm

Tightening torque 
110 Nm

Unit per box
2

EANCode
8020584013052






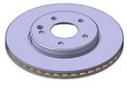
brembo

Brand part numbers

Brembo
09.4869.44

AP
24480 E

Breco
BS 8311

brembo	
09.4869.44	
AP	24480 V-24480 E
BRECO	BS 8311-BS 8311
DIMENSION	284 x 22 mm
MIN TH	19.4 mm
BALANCING	GUARANTEED
MATERIAL	SUB-GROUP 1
WEIGHT	6 kg
	09 GL H 05 KBA 61112
	INSIDE THE BOX 105.5732.95
	09.4869.41
	
DATE : 31/07/2014 VERSION : 00	

Technical specifications

Disc with fixing screw

By supplying the fixing screw in the disc box, Brembo provides extra help to the mechanic if the original screw is rusty or worn to such an extent as to prevent or make it difficult to reuse.



Compatible vehicles

MERCEDES-BENZ

Model	Type	Kw	Year
C-CLASS (W202)	C 200 (202.020)	100	01/94 05/00
C-CLASS (W202)	C 200 CDI (202.134)	75	03/98 05/00
C-CLASS (W202)	C 220 (202.022)	110	03/93 05/00
C-CLASS (W202)	C 220 CDI (202.133)	92	09/97 05/00
C-CLASS (W202)	C 230 (202.023)	110	06/96 06/97
C-CLASS (W202)	C 280 (202.028)	142	05/93 05/00
C-CLASS T-Model (S202)	C 180 T (202.078)	90	06/96 09/00
C-CLASS T-Model (S202)	C 180 T (202.081)	95	09/00 03/01

C-CLASS T-Model (S202)	C 200 T (202.080)	100	06/96 03/01
C-CLASS T-Model (S202)	C 200 T CDI (202.194)	75	03/98 03/01
C-CLASS T-Model (S202)	C 200 T D (202.180)	65	10/96 03/01
C-CLASS T-Model (S202)	C 220 T CDI (202.193)	92	09/97 03/01
C-CLASS T-Model (S202)	C 220 T D (202.182)	55	06/96 03/01
C-CLASS T-Model (S202)	C 220 T D (202.182)	70	06/96 09/98
C-CLASS T-Model (S202)	C 230 T (202.083)	110	06/96 06/98

OE Part number

Compatible OE codes

MERCEDES-BENZ	2024210712
MERCEDES-BENZ	2024210912
MERCEDES-BENZ	A2024210712
MERCEDES-BENZ	A2024210912