



BRAKE DISC

09.5004.10

The **09.5004.10** brake disc is synonymous with reliability

The Brembo brake disc is fully interchangeable with an Original Equipment brake disc. The control of the entire production cycle allows Brembo to offer brake discs with outstanding performance levels, reliability, durability and comfort in all conditions of use. All Brembo brake discs are accompanied by the ECE-R90 homologation.

- ✓ OE-equivalent
- ✓ Brembo quality
- ✓ ECE-R90 certificate
- ✓ Safety



Technical specifications



EAN code
8020584500415

Axle
Front

Diameter Ø
242 mm

Thickness (TH)
19 mm

Height (A)
41 mm

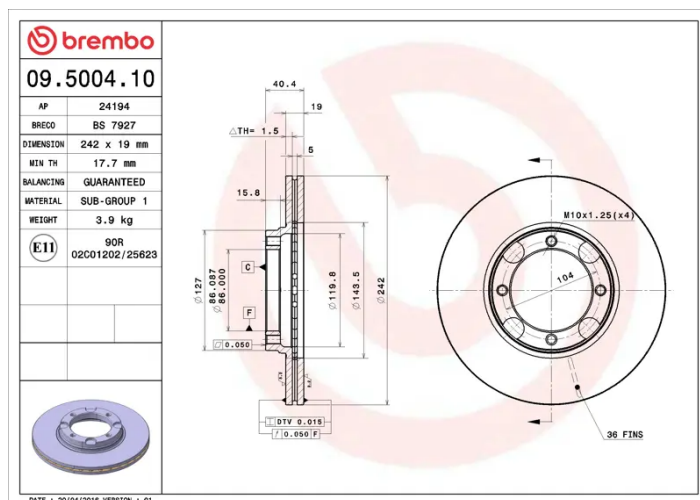
Number of holes (C)
4

Brake disc type
Ventilated

Centering (B)
86 mm

Min. thickness
17,7 mm

Tightening torque
100 Nm



COMPATIBLE VEHICLES

COMPATIBLE OE PART NUMBERS

5171221300	HYUNDAI
------------	---------

5171221350	HYUNDAI
------------	---------

5171221350DS	HYUNDAI
--------------	---------

5171221357	HYUNDAI
------------	---------

5171221B00	HYUNDAI
------------	---------

5171224100	HYUNDAI
------------	---------

5171234100	HYUNDAI
------------	---------
