

Disc technical data

Axle Front

Diameter
302 mm

Overall height (A)
76,1 mm

Centring diameter (B)
79 mm

Number of holes (C)
5

Thickness (TH)
28 mm

Minimum thickness
26,4 mm

Tightening torque
120 Nm

Unit per box
2

EANCode
8020584517529

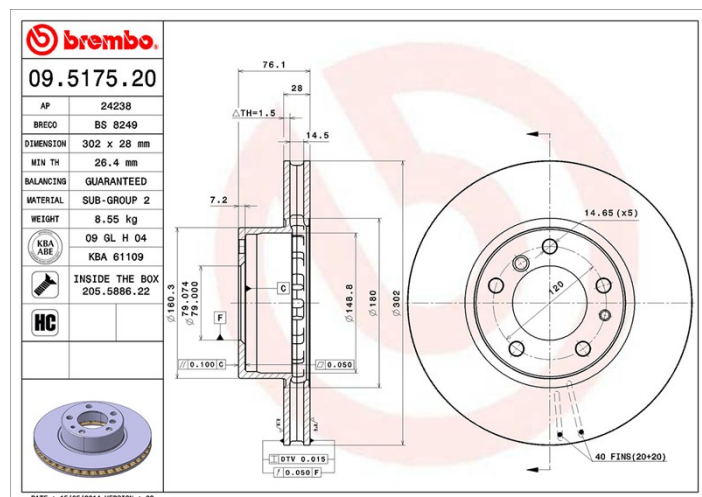


Brand part numbers

Brembo
09.5175.20

AP
24238

Breco
BS 8249



Technical specifications

High Carbon disc (HC)

Thanks to the high percentage of carbon in the chemical composition of the cast iron, the HC disc provides greater damping coefficient, able to reduce vibration and noise while driving.

HC

Disc with fixing screw

By supplying the fixing screw in the disc box, Brembo provides extra help to the mechanic if the original screw is rusty or worn to such an extent as to prevent or make it difficult to reuse.



Compatible vehicles

BMW

Model	Type	Kw	Year
5 (E34)	540 i V8	210	09/92 12/95
5 Touring (E34)	540 i	210	09/93 07/96
7 (E32)	730 i,iL	138	07/86 03/94
7 (E32)	730 i,iL	145	12/86 09/94
7 (E32)	735 i,iL	155	06/86 06/92

7 (E32)	735 i,iL	162	09/86 12/87
7 (E32)	740 i,iL V8	210	05/92 03/94
7 (E32)	750 i,iL V12	220	09/87 09/94

OE Part number

Compatible OE codes

BMW	34111155322
BMW	34111157391
BMW	34111158038
BMW	34111159896
BMW	34116756090