

Disc
09.5457.30

brembo
AFTERMARKET

Disc technical data

Axle Front

Diameter (Diameter)
262 mm

Overall height (A)
47,2 mm

Centring diameter (B)
64,2 mm

Number of holes (C)
5

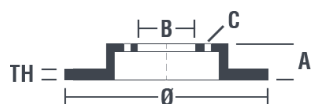
Thickness (TH)
21 mm

Minimum thickness
19 mm

Tightening torque 
108 Nm

Unit per box
2

EANCode
8020584545737

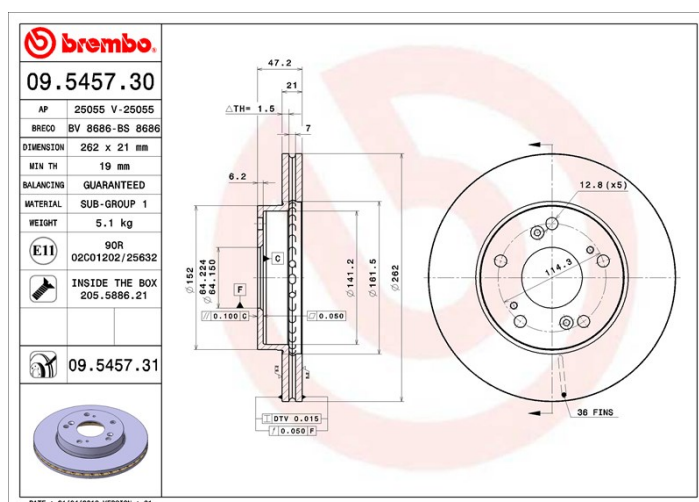


Brand part numbers

Brembo
09.5457.30

AP
25055

Breco
BS 8686



Technical specifications

Disc with fixing screw

By supplying the fixing screw in the disc box, Brembo provides extra help to the mechanic if the original screw is rusty or worn to such an extent as to prevent or make it difficult to reuse.



Compatible vehicles

HONDA

| Model | Type | Kw | Year |
|----------------------------------|-----------------------|-----|-------------|
| CIVIC VII Hatchback (EU, EP, EV) | 1.4 i | 55 | 02/01 09/05 |
| CIVIC VII Hatchback (EU, EP, EV) | 1.4 iS (EP1) | 66 | 02/01 09/05 |
| CIVIC VII Hatchback (EU, EP, EV) | 1.6 i | 81 | 02/01 09/05 |
| CIVIC VIII Saloon (FD, FA) | 1.3 | 85 | 02/06 - |
| CIVIC VIII Saloon (FD, FA) | 1.3 Hybrid (FA3, FD3) | 70 | 01/06 - |
| CIVIC VIII Saloon (FD, FA) | 1.3 Hybrid (FD3) | 85 | 01/10 02/12 |
| CIVIC VIII Saloon (FD, FA) | 1.6 | 84 | 09/05 - |
| CIVIC VIII Saloon (FD, FA) | 1.8 (FD1, FD7) | 103 | 09/05 02/12 |

| CR-Z (ZF) | 1.5 Hybrid | 91 | 09/10 12/13 |
|-------------------------|------------------|-----|-------------|
| CR-Z (ZF) | 1.5 Hybrid | 97 | 09/13 - |
| CR-Z (ZF) | 1.5 Hybrid | 89 | 11/12 - |
| CR-Z (ZF) | 1.5 Hybrid (ZF1) | 84 | 06/10 - |
| HONDA (DONGFENG) | | | |
| Model | Type | Kw | Year |
| CIIMO | 1.8 | 103 | 04/12 - |

OE Part number

| Compatible OE codes | |
|---------------------|-------------|
| HONDA | 45251S6M000 |
| HONDA | 45251SNA000 |
| HONDA | 45251SNA010 |
| HONDA | 45251SZT020 |
| HONDA | 45251SZT030 |
| HONDA | 45251SZT040 |