

Disc technical data

Axle Rear

Diameter
300 mm

Overall height (A)
33,5 mm

Centring diameter (B)
80 mm

Number of holes (C)
5

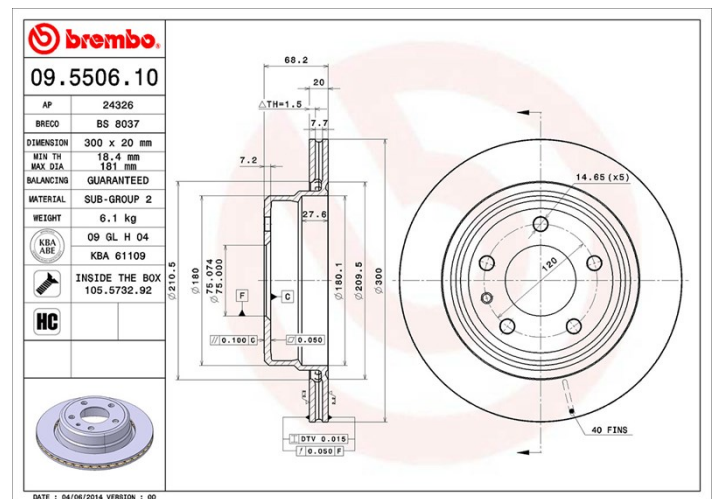
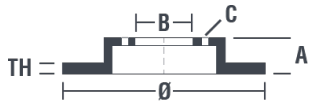
Thickness (TH)
20 mm

Minimum thickness
18,4 mm

Tightening torque
120 Nm

Unit per box
2

EANCode
8020584550618



Brand part numbers

Brembo
09.5506.10

AP
24326

Breco
BS 8037

Technical specifications

High Carbon disc (HC)

Thanks to the high percentage of carbon in the chemical composition of the cast iron, the HC disc provides greater damping coefficient, able to reduce vibration and noise while driving.

HC

Disc with fixing screw

By supplying the fixing screw in the disc box, Brembo provides extra help to the mechanic if the original screw is rusty or worn to such an extent as to prevent or make it difficult to reuse.



Compatible vehicles

BMW

Model	Type	Kw	Year
7 (E32)	740 i,iL V8	210	05/92 03/94
7 (E32)	750 i,iL V12	220	09/87 09/94

OE Part number

Compatible OE codes

BMW

34211155501

BMW

34211162967

BMW

34211163138
