



BRAKE DISC

09.5509.14

The **09.5509.14** brake disc is synonymous with reliability

The Brembo brake disc is fully interchangeable with an Original Equipment brake disc. The control of the entire production cycle allows Brembo to offer brake discs with outstanding performance levels, reliability, durability and comfort in all conditions of use. All Brembo brake discs are accompanied by the ECE-R90 homologation.

- ✓ OE-equivalent
- ✓ Brembo quality
- ✓ ECE-R90 certificate
- ✓ Safety
- ✓ Fastening screws



Technical specifications



EAN code
8020584012871

Axle
Front

Diameter \varnothing
262 mm

Thickness (TH)
21 mm

Height (A)
45 mm

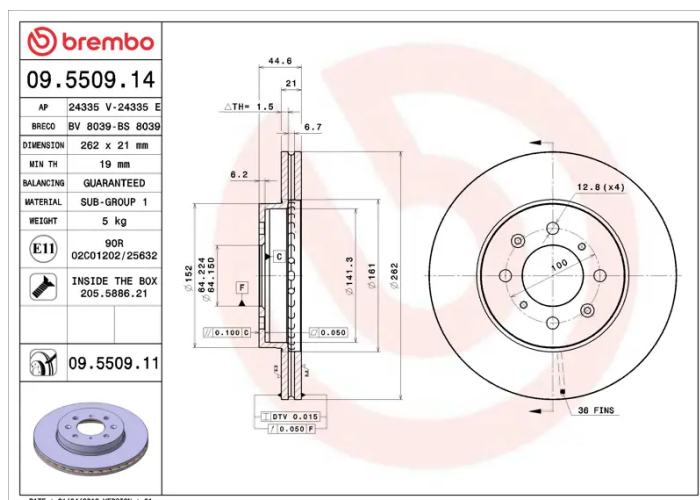
Number of holes (C)
4

Brake disc type
Ventilated

Centering (B)
64 mm

Min. thickness
19 mm

Tightening torque
108 Nm



COMPATIBLE VEHICLES

COMPATIBLE OE PART NUMBERS

45251SK7000	ACURA
-------------	-------

45251SK7A00	ACURA
-------------	-------

45251SR0A00	ACURA
-------------	-------

45251SR0A10	ACURA
-------------	-------

45251SK7000	HONDA
-------------	-------

45251SK7A00	HONDA
-------------	-------

45251SK7A10	HONDA
-------------	-------

45251SK7J00	HONDA
-------------	-------

45251SR0A00	HONDA
-------------	-------

45251SR0A10	HONDA
-------------	-------

45251ST3E10	HONDA
-------------	-------

GBD90840	LOTUS
----------	-------

SDB000990	MG
-----------	----

SDB000991	MG
-----------	----

SDB100600	MG
-----------	----

GBD90840	ROVER
----------	-------

SDB000990	ROVER
-----------	-------

SDB000991	ROVER
-----------	-------

SDB100600	ROVER
-----------	-------