

## Disc technical data

**Axle** Front

**Diameter**  
282 mm

**Overall height (A)**  
76,1 mm

**Centring diameter (B)**  
79 mm

**Number of holes (C)**  
5

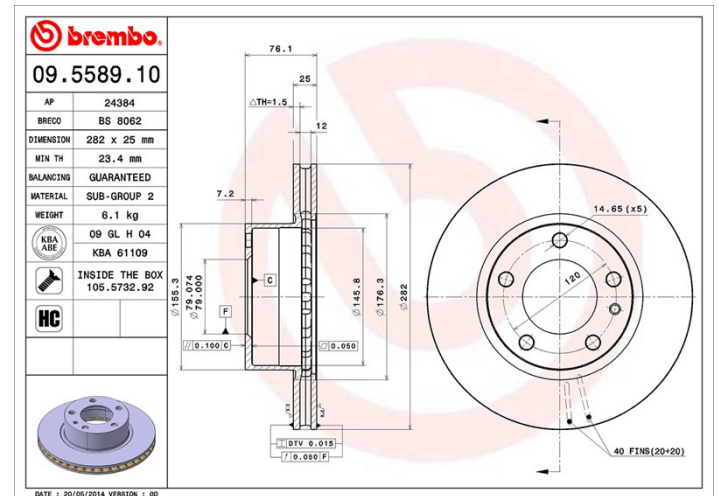
**Thickness (TH)**  
25 mm

**Minimum thickness**  
23 mm

**Tightening torque**   
120 Nm

**Unit per box**  
2

**EANCode**  
8020584558911



## Brand part numbers

**Brembo**  
09.5589.10

**AP**  
24384

**Breco**  
BS 8062

## Technical specifications

### High Carbon disc (HC)

Thanks to the high percentage of carbon in the chemical composition of the cast iron, the HC disc provides greater damping coefficient, able to reduce vibration and noise while driving.

**HC**

### Disc with fixing screw

By supplying the fixing screw in the disc box, Brembo provides extra help to the mechanic if the original screw is rusty or worn to such an extent as to prevent or make it difficult to reuse.



## Compatible vehicles

### BMW

Model	Type	Kw	Year
5 (E28)	528 i	135	06/81 12/87
5 (E28)	535 i	162	01/85 12/87
5 (E28)	535 i, M 535 i	136	01/85 12/87
5 (E28)	535 i, M 535 i	141	01/85 12/87
6 (E24)	628 CSi	135	09/79 08/87
6 (E24)	635 CSi	160	06/78 04/82

6 (E24)	635 CSi	155	07/87 04/89
6 (E24)	635 CSi	141	12/77 04/89
6 (E24)	635 CSi	136	12/84 12/86

## OE Part number

### Compatible OE codes

BMW	34111156143
BMW	34111163147
BMW	34111163148