
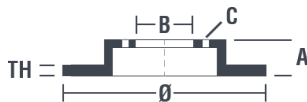


Disc technical data

Axle Front	Diameter 295 mm
Overall height (A) 49,5 mm	Centring diameter (B) 67 mm
Number of holes (C) 5	Thickness (TH) 22 mm
Minimum thickness 19,4 mm	Tightening torque  110 Nm
Unit per box 2	EANCode 8020584562710







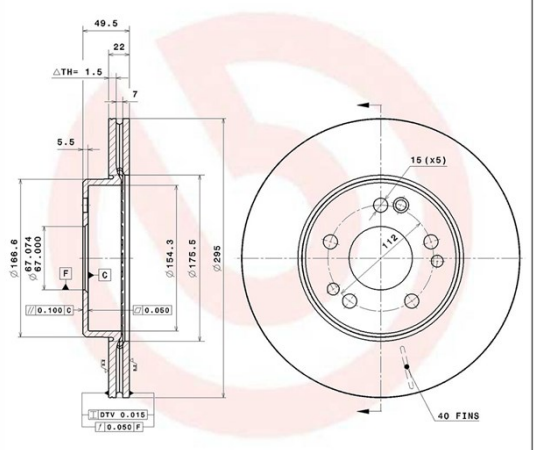
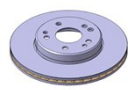
Brand part numbers

Brembo
09.5627.10

AP
24391

Breco
BS 8074



	
09.5627.10	
AP	24391
BRECO	BS 8074
DIMENSION	295 x 22 mm
MIN TH	19.4 mm
BALANCING	GUARANTEED
MATERIAL	SUB-GROUP 1
WEIGHT	6.6 kg
	DA
	KBA 60436
	INSIDE THE BOX 105.5732.94
	
	
DATE : 13/08/2014 VERSION : 00	

Technical specifications

Disc with fixing screw

By supplying the fixing screw in the disc box, Brembo provides extra help to the mechanic if the original screw is rusty or worn to such an extent as to prevent or make it difficult to reuse.



Compatible vehicles

MERCEDES-BENZ

Model	Type	Kw	Year
CABRIOLET (A124)	300 CE-24 (124.061)	162	04/92 06/93
CABRIOLET (A124)	300 CE-24 (124.061)	170	04/92 06/93
COUPE (C124)	300 CE-24 (124.051)	162	09/89 12/92
COUPE (C124)	300 CE-24 (124.051)	170	09/89 12/92
COUPE (C124)	320 CE (124.052)	162	10/92 05/93
E-CLASS T-Model (S124)	E 320 T (124.092)	162	06/93 06/96
KOMBI T-Model (S124)	300 TE-24 (124.091)	162	09/89 08/92
KOMBI T-Model (S124)	300 TE-24 (124.091)	170	09/89 08/92

KOMBI T-Model (S124)	320 TE (124.092)	162	10/92 06/93
SALOON (W124)	300 E-24 (124.031)	162	09/88 08/92
SALOON (W124)	300 E-24 (124.031)	170	09/88 08/92
SALOON (W124)	320 E (124.032)	162	10/92 06/93

OE Part number

Compatible OE codes

MERCEDES-BENZ	1244211512
MERCEDES-BENZ	A1244211512