

Disc technical data

Axle Front

Diameter
255 mm

Overall height (A)
33,5 mm

Centring diameter (B)
84 mm

Number of holes (C)
5

Thickness (TH)
20 mm

Minimum thickness
18,4 mm

Tightening torque
98 Nm

Unit per box
2

EANCode
8020584563212

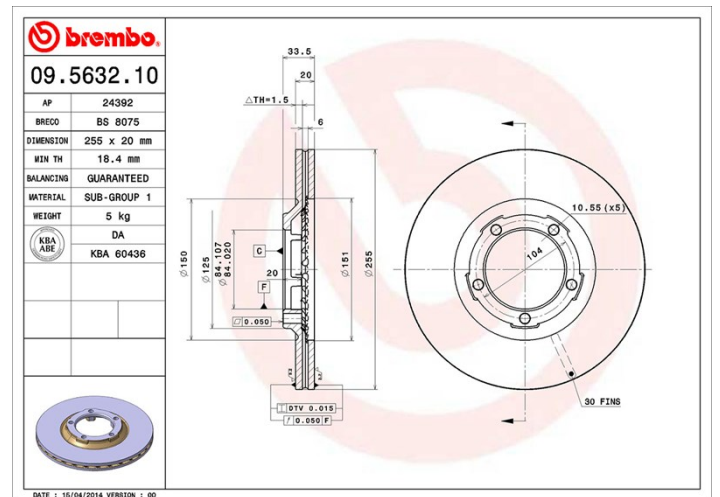


Brand part numbers

Brembo
09.5632.10

AP
24392

Breco
BS 8075



Technical specifications

Compatible vehicles

MITSUBISHI

Model	Type	Kw	Year
L 300 / DELICA II Box (L03_P)	1.6 (L032P, L062P)	48	05/80 10/86
L 300 / DELICA II Box (L03_P)	1.8	60	03/83 10/86
L 300 / DELICA II Box (L03_P)	2.3 D (L038P, L068P)	50	09/83 10/86
L 300 / DELICA II Bus (L03_P/G, L0_2P)	1.6 (L032P, L062P)	48	09/81 10/86
L 300 / DELICA II Bus (L03_P/G, L0_2P)	1.6 (L032P, L062P)	51	11/84 02/87
L 300 / DELICA II Bus (L03_P/G, L0_2P)	1.8	60	03/83 10/86
L 300 / DELICA II Bus (L03_P/G, L0_2P)	2.3 D (L038P)	50	04/83 10/86
L 300 / DELICA II Platform/Chassis (L03_P)	1.6 (L032P, L062P)	51	04/83 04/94
L 300 / DELICA II Platform/Chassis (L03_P)	2.5 D (L039P)	51	11/86 04/94

OE Part number

Compatible OE codes

MITSUBISHI	MB238495
------------	----------

MITSUBISHI	MB316582
------------	----------
