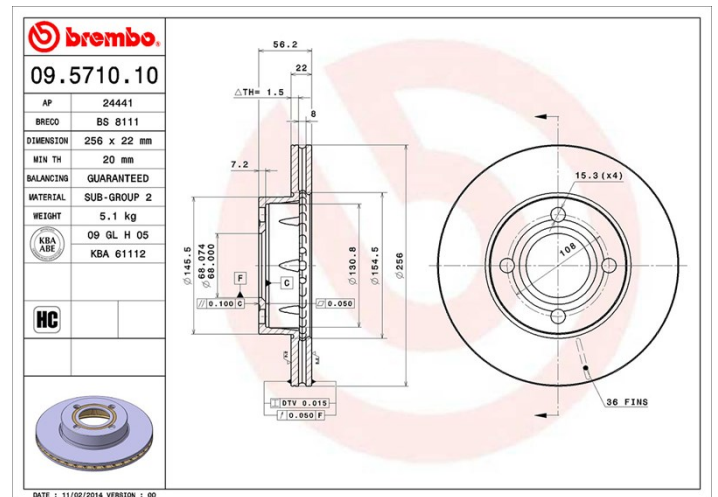
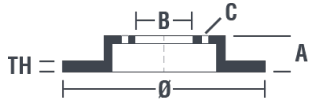


Disc technical data

Axle Front	Diameter 256 mm
Overall height (A) 56,2 mm	Centring diameter (B) 68 mm
Number of holes (C) 4	Thickness (TH) 22 mm
Minimum thickness 20 mm	Tightening torque 120 Nm
Unit per box 2	EANCode 8020584571019



Brand part numbers

Brembo 09.5710.10	AP 24441	Breco BS 8111
-----------------------------	--------------------	-------------------------

Technical specifications

Compatible vehicles

AUDI			
Model	Type	Kw	Year
80 (8C2, B4)	1.6 E	74	06/93 12/94
80 (8C2, B4)	2.0	66	09/91 12/94
80 (8C2, B4)	2.0 E	85	09/91 12/94
80 (8C2, B4)	2.0 E 16V	103	08/92 12/94
80 (8C2, B4)	2.0 E 16V quattro	103	04/92 12/94
80 (8C2, B4)	2.0 E quattro	85	09/91 12/94
80 (8C2, B4)	2.3 E	98	09/91 12/94
80 (8C2, B4)	2.3 E quattro	98	09/91 12/94
80 Avant (8C5, B4)	2.3 E	98	07/92 01/96

80 Avant (8C5, B4)	2.3 E quattro	98	09/91 11/94
CABRIOLET (8G7, B4)	2.3 E	98	05/91 07/94
COUPE (81, 85)	1.8 GT	65	04/86 10/88
COUPE (81, 85)	1.8 GT	82	08/86 10/88
COUPE (81, 85)	1.8 GT	66	09/82 10/88
COUPE (81, 85)	1.8 GT quattro	82	12/84 10/88
COUPE (89, 8B)	1.8	82	08/89 07/91
COUPE (89, 8B)	2.0	82	03/90 07/90
COUPE (89, 8B)	2.0	83	05/89 03/90
COUPE (89, 8B)	2.0	85	05/89 12/96
COUPE (89, 8B)	2.0 16 V	101	01/92 07/92
COUPE (89, 8B)	2.2 quattro	100	11/88 07/91
COUPE (89, 8B)	2.3	98	03/90 12/96
COUPE (89, 8B)	2.3	100	10/88 07/94
COUPE (89, 8B)	2.3 quattro	98	05/90 12/96
COUPE (89, 8B)	2.3 quattro	100	11/88 12/92

OE Part number

Compatible OE codes

AUDI 895615301A