

Disc technical data

Axle Front

Diameter
276 mm

Overall height (A)
56,2 mm

Centring diameter (B)
68 mm

Number of holes (C)
4

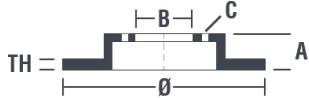
Thickness (TH)
25 mm

Minimum thickness
23 mm

Tightening torque
120 Nm

Unit per box
2

EANCode
8020584572412

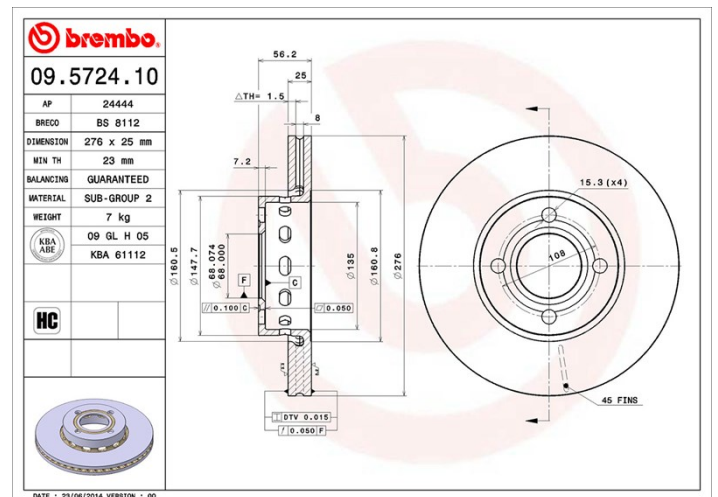


Brand part numbers

Brembo
09.5724.10

AP
24444

Breco
BS 8112



Technical specifications

Compatible vehicles

AUDI

Model	Type	Kw	Year
80 (8C2, B4)	2.8	128	09/91 12/94
80 (8C2, B4)	2.8 quattro	128	09/91 12/94
80 Avant (8C5, B4)	2.8	128	09/91 01/96
80 Avant (8C5, B4)	2.8 quattro	128	08/92 07/95
CABRIOLET (8G7, B4)	2.8	128	11/92 08/00
COUPE (89, 8B)	2.0 20 V	118	08/89 07/91
COUPE (89, 8B)	2.0 20 V quattro	118	08/89 07/91
COUPE (89, 8B)	2.3 20V	125	08/89 07/91
COUPE (89, 8B)	2.3 20V	123	08/90 07/91

COUPE (89, 8B)	2.3 20V quattro	123	05/90 12/96
COUPE (89, 8B)	2.3 20V quattro	125	11/88 07/91
COUPE (89, 8B)	2.6	110	08/92 12/96
COUPE (89, 8B)	2.6 quattro	110	08/92 12/96
COUPE (89, 8B)	2.8	128	09/91 12/96
COUPE (89, 8B)	2.8 quattro	128	08/91 12/96

OE Part number

Compatible OE codes

AUDI	895615301B
------	------------