

Disc technical data

Axle Front

Diameter
276 mm

Overall height (A)
56,2 mm

Centring diameter (B)
68 mm

Number of holes (C)
5

Thickness (TH)
25 mm

Minimum thickness
23 mm

Tightening torque
120 Nm

Unit per box
2

EANCode
8020584572429

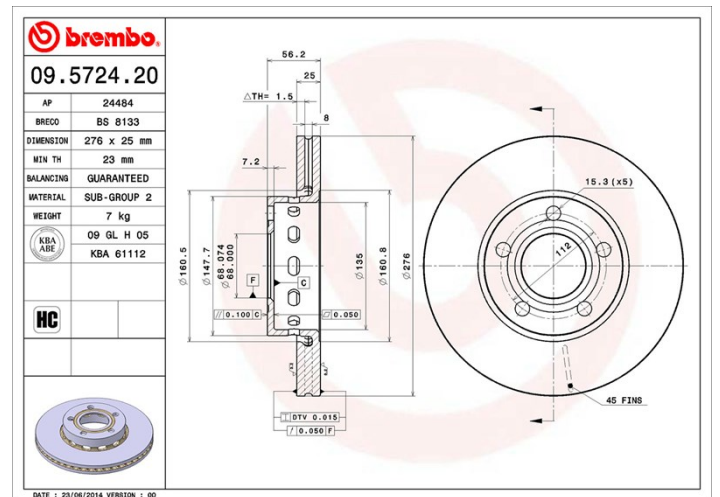


Brand part numbers

Brembo
09.5724.20

AP
24484

Breco
BS 8133



Technical specifications

Compatible vehicles

AUDI

Model	Type	Kw	Year
80 (8C2, B4)	S2 quattro	169	02/93 12/94
80 Avant (8C5, B4)	S2 quattro	169	02/93 07/95
COUPE (89, 8B)	S2 quattro	162	09/90 09/92
COUPE (89, 8B)	S2 quattro	169	10/92 12/96

OE Part number

Compatible OE codes

AUDI 895615301D