

Disc technical data

Axle Front

Diameter
316 mm

Overall height (A)
77,1 mm

Centring diameter (B)
79 mm

Number of holes (C)
5

Thickness (TH)
28 mm

Minimum thickness
26,4 mm

Tightening torque
120 Nm

Unit per box
2

EANCode
8020584587515

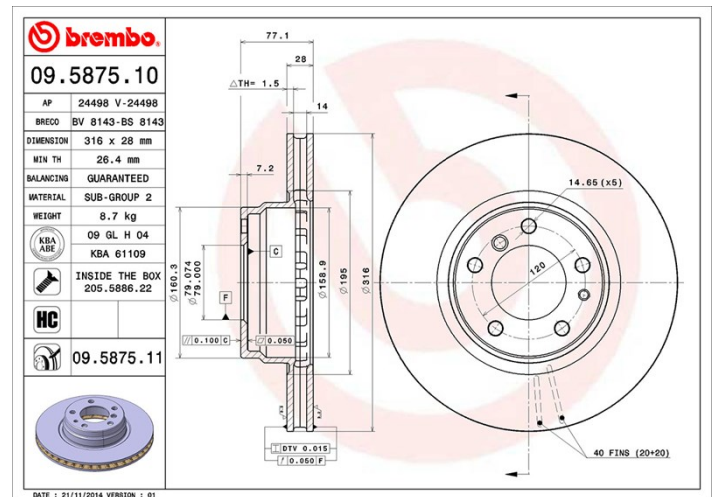


Brand part numbers

Brembo
09.5875.10

AP
24498

Breco
BS 8143



Technical specifications

High Carbon disc (HC)

Thanks to the high percentage of carbon in the chemical composition of the cast iron, the HC disc provides greater damping coefficient, able to reduce vibration and noise while driving.

HC

Disc with fixing screw

By supplying the fixing screw in the disc box, Brembo provides extra help to the mechanic if the original screw is rusty or worn to such an extent as to prevent or make it difficult to reuse.



Compatible vehicles

BMW			
Model	Type	Kw	Year
7 (E38)	725 tds	105	04/96 11/01
7 (E38)	728 i, iL	142	08/95 11/01
7 (E38)	728i X	142	11/95 09/01
7 (E38)	730 d	142	04/00 11/01
7 (E38)	730 d	135	08/98 04/00

7 (E38)	730 i, iL	155	10/94 11/01
7 (E38)	730 i, iL	160	03/94 02/96
7 (E38)	735 i, iL	173	03/96 08/98
7 (E38)	735 i, iL	175	09/98 07/01

OE Part number

Compatible OE codes

BMW	34111162093
BMW	34116757752
BMW	34116757753