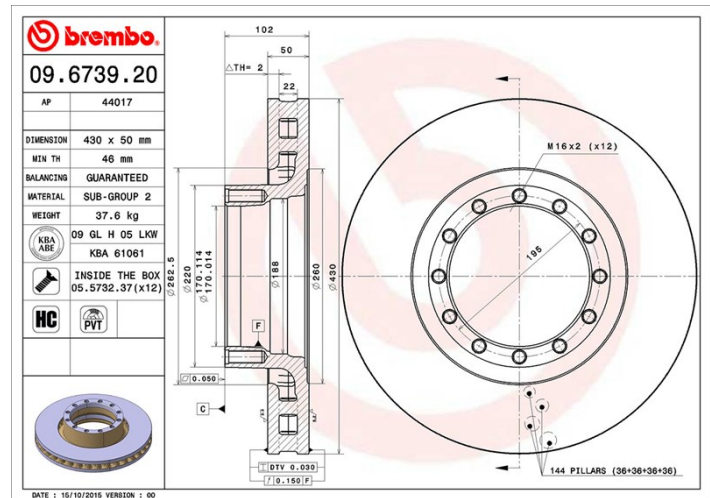


## Disc technical data

<b>Axle</b> Front	<b>Diameter</b> 430 mm
<b>Overall height (A)</b> 102 mm	<b>Centring diameter (B)</b> 170 mm
<b>Number of holes (C)</b> 12	<b>Thickness (TH)</b> 50 mm
<b>Minimum thickness</b> 46 mm	<b>Tightening torque</b> Nm
<b>Unit per box</b> 1	<b>EANCode</b> 8020584673928



## Brand part numbers

<b>Brembo</b> 09.6739.20	<b>AP</b> 44017
-----------------------------	--------------------

## Technical specifications

### High Carbon disc (HC)

Thanks to the high percentage of carbon in the chemical composition of the cast iron, the HC disc provides greater damping coefficient, able to reduce vibration and noise while driving.

# HC

## Compatible vehicles

IVECO				
Model	Type	Kw	Year	
EuroCargo I-III	170 E 18 K, 180 E 18 K	130	01/91 09/15	
EuroCargo I-III	170 E 18, 180 E 18	130	01/91 09/15	
EuroCargo I-III	170 E 23 K, 180 E 23 K	167	01/91 09/15	
EuroCargo I-III	170 E 23, 180 E 23	167	01/91 09/15	
EuroCargo I-III	170 E 27, 180 E 27	196	01/91 09/15	
EuroStar	LD 190 E 38 P	276	01/93 02/02	
EuroStar	LD 190 E 42, LD 190 E 42 P	309	01/93 02/02	
EuroStar	LD 190 E 47	345	01/93 02/02	
EuroStar	LD 190 E 52	378	01/93 02/02	
EuroStar	LD 240 E 38	276	01/93 02/02	

EuroStar	LD 240 E 42 FS, LD 240 E 42 PS	309	01/93 02/02
EuroStar	LD 240 E 47 PS	345	01/93 02/02
EuroStar	LD 240 E 52 PS	378	01/93 02/02
EuroStar	LD 260 E 38 P	276	01/93 02/02
EuroStar	LD 260 E 42 P	309	01/93 02/02
EuroStar	LD 260 E 43 Y/PS, LD 260 E 43 FP	316	01/93 02/02
EuroStar	LD 260 E 47	345	01/93 02/02
EuroStar	LD 260 E 48 Y/PS	353	01/93 02/02
EuroStar	LD 260 E 52	378	01/93 02/02
EuroStar	LD 400 E 38 TX/P,LD 440 E 38 TX/P	276	01/93 02/02
EuroStar	LD 400 E 42 TX/P,LD 440 E 42 TX/P	309	01/93 02/02
EuroStar	LD 440 E 38 T	276	01/93 02/02
EuroStar	LD 440 E 38 TZ	276	01/93 02/02
EuroStar	LD 440 E 42 T/P	309	01/93 02/02
EuroStar	LD 440 E 42 TZ	309	01/93 02/02
EuroStar	LD 440 E 43 T/P	316	01/93 02/02
EuroStar	LD 440 E 47 T/P	345	01/93 02/02
EuroStar	LD 440 E 47 TZ	345	01/93 02/02
EuroStar	LD 440 E 52 T	378	01/93 02/02
EuroStar	LD 440 E 52 TZ	378	01/93 02/02
EuroTech MP	180 E 34	254	01/92 12/93
EuroTech MP	180 E 38	276	01/92 12/93
EuroTech MP	180 E 42	309	01/92 12/93
EuroTech MP	190 E 34	254	01/93 -
EuroTech MP	190 E 38	276	01/93 -
EuroTech MP	190 E 42, 190 E 42 /P	309	01/93 -
EuroTech MP	240 E 30 PS	221	01/97 -
EuroTech MP	240 E 34	254	09/95 12/96
EuroTech MP	240 E 38	276	01/92 -
EuroTech MP	240 E 42	309	01/92 -
EuroTech MP	260 E 38 P	276	01/94 -
EuroTech MP	260 E 42	309	01/94 -

EuroTech MP	400 E 34 T, 440 E 34 T	254	01/92 -
EuroTech MP	400 E 38 T, 440 E 38 T, 440 E 38 T /P	276	01/92 -
EuroTech MP	400 E 38 TXP	276	11/93 12/96
EuroTech MP	400 E 42 T, 440 E 42 T, 440 E 42 T/P	309	01/92 -
EuroTech MP	440 E 38 TZ	276	01/93 -
EuroTech MP	440 E 42 TZ	309	01/93 -
EuroTech MT	180 E 24	176	01/92 12/96
EuroTech MT	180 E 24 K	176	01/93 12/96
EuroTech MT	180 E 27	196	01/92 12/96
EuroTech MT	180 E 27 K	196	01/92 12/96
EuroTech MT	180 E 30 R	221	01/92 12/96
EuroTech MT	180 E 34 R	254	01/92 12/93
EuroTech MT	190 E 24	176	01/97 08/98
EuroTech MT	190 E 24 K	176	01/97 08/98
EuroTech MT	190 E 27	196	01/97 08/98
EuroTech MT	190 E 27 K	196	01/97 08/98
EuroTech MT	190 E 30	221	01/97 08/98
EuroTech MT	190 E 30 K	221	01/97 08/98
EuroTech MT	400 E 30 T	221	01/92 08/98
EuroTech MT	400 E 34 T	254	01/92 08/98

## OE Part number

### Compatible OE codes

IVECO	1908729
IVECO	2991979
IVECO	7180111