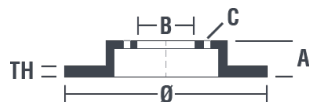


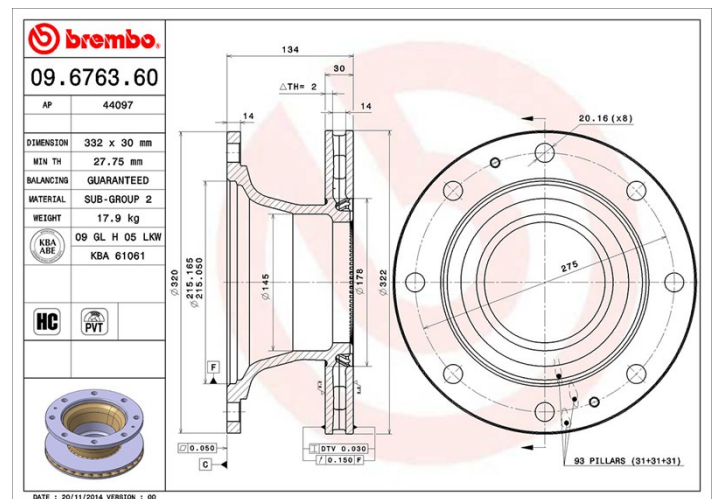
## Disc technical data

<b>Axle</b> Rear	<b>Diameter</b> 322 mm
<b>Overall height (A)</b> 134 mm	<b>Centring diameter (B)</b> 215 mm
<b>Number of holes (C)</b> 8	<b>Thickness (TH)</b> 30 mm
<b>Minimum thickness</b> 27,75 mm	<b>Tightening torque</b> Nm
<b>Unit per box</b> 1	<b>EANCode</b> 8020584676363



## Brand part numbers

<b>Brembo</b> 09.6763.60	<b>AP</b> 44097
-----------------------------	--------------------



## Technical specifications

### High Carbon disc (HC)

Thanks to the high percentage of carbon in the chemical composition of the cast iron, the HC disc provides greater damping coefficient, able to reduce vibration and noise while driving.

**HC**

## Compatible vehicles

IVECO				
Model	Type	Kw	Year	
EuroCargo I-III	100 E 17 K tector, 100 E 17 DK tector	125	09/00 09/15	
EuroCargo I-III	100 E 17, 100 E 17 DP tector, 100 E 18 tector	125	09/00 09/15	
EuroCargo I-III	100 E 18 K tector, 100 E 18 DK tector	134	09/00 09/15	
EuroCargo I-III	100 E 18 tector, 100 E 18 P tector, 100 E 18 FP tector	134	09/00 09/15	
EuroCargo I-III	100 E 18 W tector, 100 E 18 WS tector	134	09/00 09/15	

EuroCargo I-III	100 E 21 K tector, 100 E 21 DK tector	154	09/00 09/15
EuroCargo I-III	100 E 21 W tector, 100 E 21 WS tector	154	09/00 09/15
EuroCargo I-III	100 E 21, 100 E 21 DP tector, 100 E 22 tector	154	09/00 09/15

## OE Part number

### Compatible OE codes

IVECO	2996009
IVECO	7187569