

Disc technical data

Axle Front

Diameter
278 mm

Overall height (A)
47 mm

Centring diameter (B)
63,6 mm

Number of holes (C)
4

Thickness (TH)
24 mm

Minimum thickness
22,2 mm

Tightening torque
100 Nm

Unit per box
2

EANCode
8020584676615

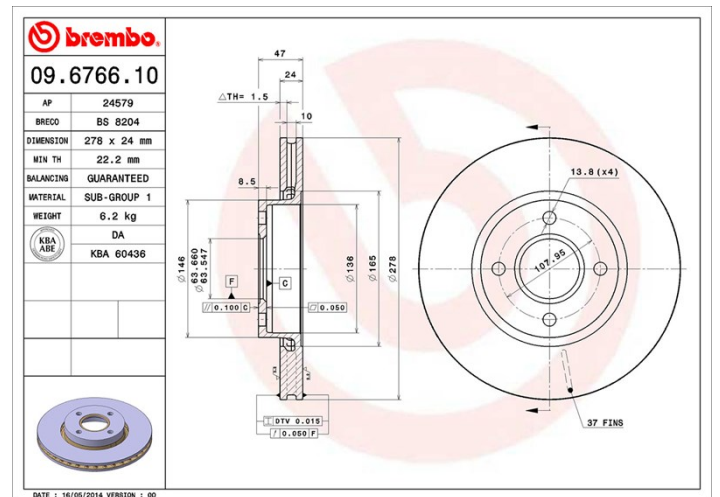


Brand part numbers

Brembo
09.6766.10

AP
24579

Breco
BS 8204



Technical specifications

Compatible vehicles

FORD			
Model	Type	Kw	Year
COUGAR (EC_)	2.5 ST 200	151	01/00 12/01
COUGAR (EC_)	2.5 V6 24V	125	06/00 12/01
COUGAR (EC_)	2.5 V6 24V	125	08/98 12/01
MONDEO I (GBP)	2.5 i 24V	125	07/94 08/96
MONDEO I Saloon (GBP)	2.5 i 24V	125	07/94 08/96
MONDEO I Turnier (BNP)	2.5 i 24V	125	07/94 08/96
MONDEO II (BAP)	2.5 24V	125	06/00 09/00
MONDEO II (BAP)	2.5 24V	125	08/96 09/00
MONDEO II (BAP)	2.5 ST 200	151	05/99 09/00

MONDEO II Saloon (BFP)	2.5 24V	125	06/00 09/00
MONDEO II Saloon (BFP)	2.5 24V	125	08/96 09/00
MONDEO II Saloon (BFP)	2.5 ST 200	151	05/99 09/00
MONDEO II Tumier (BNP)	1.8 i	85	08/96 09/00
MONDEO II Tumier (BNP)	2.0 i	96	08/96 09/00
MONDEO II Tumier (BNP)	2.5 24V	125	08/96 09/00
MONDEO II Tumier (BNP)	2.5 24V	125	10/99 09/00
MONDEO II Tumier (BNP)	2.5 ST 200	151	05/99 09/00
SCORPIO II (GFR, GGR)	2.9 i 24V	152	10/94 08/98
SCORPIO II Tumier (GNR, GGR)	2.9 i 24V	152	10/94 08/98

OE Part number

Compatible OE codes

FORD	1513979
FORD	4056031
FORD	4070864
FORD	5026785
FORD	6676462