

Disc 09.6997.10

brembo
AFTERMARKET

Disc technical data

Axle Front, Rear

Diameter
288 mm

Overall height (A)
42 mm

Centring diameter (B)
70 mm

Number of holes (C)
5

Thickness (TH)
25 mm

Minimum thickness
22 mm

Tightening torque 
110 Nm

Unit per box
2

EANCode
8020584699713

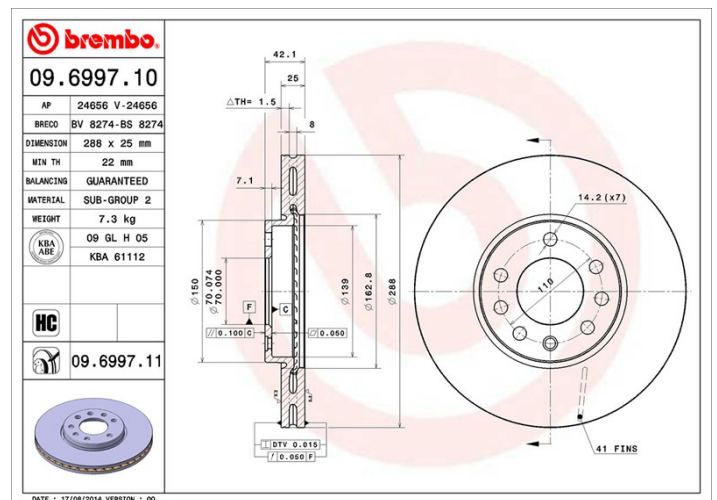


Brand part numbers

Brembo
09.6997.10

AP
24656

Breco
BS 8274



Technical specifications

High Carbon disc (HC)

Thanks to the high percentage of carbon in the chemical composition of the cast iron, the HC disc provides greater damping coefficient, able to reduce vibration and noise while driving.

HC

Compatible vehicles

OPEL			
Model	Type	Kw	Year
CALIBRA A (C89)	2.0 i Turbo 4x4 (M07)	150	08/91 07/97
CALIBRA A (C89)	2.5 i V6 (M07)	125	04/93 07/97
SPEEDSTER (E01)	2.0 Turbo (R97)	147	08/02 08/06
SPEEDSTER (E01)	2.2 (R97)	108	06/00 08/05
VECTRA B (J96)	1.6 GL (F19)	60	09/95 08/96
VECTRA B (J96)	1.6 i (F19)	55	10/95 04/02
VECTRA B (J96)	1.6 i (F19)	55	10/95 04/02
VECTRA B (J96)	1.6 i 16V (F19)	74	10/95 04/02

VECTRA B (J96)	1.8 i 16V (F19)	92	09/00 04/02
VECTRA B (J96)	1.8 i 16V (F19)	85	10/95 09/00
VECTRA B (J96)	1.8 i 16V (F19)	85	10/95 09/00
VECTRA B (J96)	2.0 DI 16V (F19)	60	11/96 04/02
VECTRA B (J96)	2.0 DTI 16V (F19)	74	06/97 04/02
VECTRA B (J96)	2.0 i (F19)	82	10/95 04/02
VECTRA B (J96)	2.0 i 16V (F19)	100	10/95 06/00
VECTRA B (J96)	2.2 DTI 16V (F19)	88	09/00 04/02
VECTRA B (J96)	2.2 DTI 16V (F19)	92	09/00 04/02
VECTRA B (J96)	2.2 i 16V (F19)	108	09/00 04/02
VECTRA B (J96)	2.5 i V6 (F19)	125	10/95 09/00
VECTRA B (J96)	2.6 i V6 (F19)	125	09/00 04/02
VECTRA B Estate (J96)	1.6 i (F35)	55	11/96 06/00
VECTRA B Estate (J96)	1.6 i (F35)	55	11/96 06/00
VECTRA B Estate (J96)	1.6 i 16V (F35)	74	11/96 07/02
VECTRA B Estate (J96)	1.8 i 16V (F35)	92	09/00 07/03
VECTRA B Estate (J96)	1.8 i 16V (F35)	85	11/96 09/00
VECTRA B Estate (J96)	1.8 i 16V (F35)	85	11/96 09/00
VECTRA B Estate (J96)	2.0 DI 16V (F35)	60	11/96 06/00
VECTRA B Estate (J96)	2.0 DTI 16V (F35)	74	06/97 07/03
VECTRA B Estate (J96)	2.0 i (F35)	82	11/96 02/02
VECTRA B Estate (J96)	2.0 i 16V (F35)	100	11/96 09/00
VECTRA B Estate (J96)	2.2 DTI 16V (F35)	88	09/00 04/02
VECTRA B Estate (J96)	2.2 DTI 16V (F35)	92	09/00 07/03
VECTRA B Estate (J96)	2.2 i 16V (F35)	108	09/00 07/03
VECTRA B Estate (J96)	2.5 i V6 (F35)	125	11/96 09/00
VECTRA B Estate (J96)	2.6 i V6 (F35)	125	09/00 07/03
VECTRA B Hatchback (J96)	1.6 i (F68)	55	10/95 07/03
VECTRA B Hatchback (J96)	1.6 i (F68)	55	10/95 07/03
VECTRA B Hatchback (J96)	1.6 i 16V (F68)	74	10/95 07/02
VECTRA B Hatchback (J96)	1.8 i 16V (F68)	92	09/00 07/03
VECTRA B Hatchback (J96)	1.8 i 16V (F68)	85	10/95 09/00
VECTRA B Hatchback (J96)	1.8 i 16V (F68)	85	10/95 09/00
VECTRA B Hatchback (J96)	2.0 DI 16V (F68)	60	11/96 06/00

VECTRA B Hatchback (J96)	2.0 DTI 16V (F68)	74	06/97 07/03
VECTRA B Hatchback (J96)	2.0 i (F68)	82	10/95 02/02
VECTRA B Hatchback (J96)	2.0 i 16V (F68)	100	10/95 06/00
VECTRA B Hatchback (J96)	2.2 DTI 16V (F68)	88	09/00 04/02
VECTRA B Hatchback (J96)	2.2 DTI 16V (F68)	92	09/00 07/03
VECTRA B Hatchback (J96)	2.2 i 16V (F68)	108	09/00 07/03
VECTRA B Hatchback (J96)	2.5 (F68)	144	10/99 06/00
VECTRA B Hatchback (J96)	2.5 i V6 (F68)	125	10/95 09/00
VECTRA B Hatchback (J96)	2.6 i V6 (F68)	125	09/00 07/03

SAAB

Model	Type	Kw	Year
900 II	2.0 -16 Turbo	136	07/93 02/98
900 II	2.0 i	96	08/94 02/98
900 II	2.3 -16	110	07/93 02/98
900 II	2.5 -24 V6	125	07/93 02/98
900 II Convertible	2.0 -16 Turbo	136	12/93 02/98
900 II Convertible	2.0 i	96	12/93 02/98
900 II Convertible	2.3 -16	110	12/93 02/98
900 II Convertible	2.5 -24 V6	125	12/93 02/98
900 II Coupe	2.0 -16 Turbo	136	12/93 02/98
900 II Coupe	2.0 i	96	08/94 02/98
900 II Coupe	2.3 -16	110	12/93 02/98
900 II Coupe	2.5 -24 V6	125	12/93 02/98
9-3 (YS3D)	2.0 i	96	02/98 09/02
9-3 (YS3D)	2.0 SE Turbo	147	02/98 09/02
9-3 (YS3D)	2.0 Turbo	136	02/98 09/02
9-3 (YS3D)	2.0 Turbo	110	03/99 09/02
9-3 (YS3D)	2.0 Turbo	113	10/98 09/02
9-3 (YS3D)	2.0 Turbo	151	10/99 09/02
9-3 (YS3D)	2.2 TiD	85	02/98 11/00
9-3 (YS3D)	2.2 TiD	92	11/00 09/02
9-3 (YS3D)	2.3	169	09/99 01/02
9-3 (YS3D)	2.3 i	110	02/98 09/02
9-3 (YS3D)	2.3 Turbo	165	10/98 09/02

9-3 Cabriolet (YS3D)	2.0 i	96	02/98 08/03
9-3 Cabriolet (YS3D)	2.0 SE Turbo	147	02/98 08/03
9-3 Cabriolet (YS3D)	2.0 Turbo	110	01/01 08/03
9-3 Cabriolet (YS3D)	2.0 Turbo	136	02/98 08/03
9-3 Cabriolet (YS3D)	2.0 Turbo	113	10/98 08/03
9-3 Cabriolet (YS3D)	2.0 Turbo	151	10/99 08/03
9-3 Cabriolet (YS3D)	2.3	169	09/99 01/02
9-3 Cabriolet (YS3D)	2.3 i	110	02/98 08/03
9-3 Cabriolet (YS3D)	2.3 Turbo	165	10/99 08/03
9-5 (YS3E)	1.9 TiD	110	01/06 12/09
9-5 (YS3E)	2.0 t	136	07/00 12/09
9-5 (YS3E)	2.0 t	110	09/97 12/09
9-5 (YS3E)	2.0 t BioPower	110	01/05 12/09
9-5 (YS3E)	2.0 t Biopower	132	09/05 12/09
9-5 (YS3E)	2.0 Turbo SE	141	10/98 07/00
9-5 (YS3E)	2.2 TiD	88	03/02 12/09
9-5 (YS3E)	2.3 t	136	01/01 12/09
9-5 (YS3E)	2.3 t	125	09/97 12/09
9-5 (YS3E)	2.3 t BioPower	136	01/07 12/09
9-5 (YS3E)	2.3 t BioPower	152	11/06 12/09
9-5 (YS3E)	2.3 Turbo	134	04/08 12/09
9-5 (YS3E)	3.0 TiD	130	07/01 12/09
9-5 (YS3E)	3.0 V6t	147	01/98 12/09
9-5 Estate (YS3E)	1.9 TiD	110	01/06 12/09
9-5 Estate (YS3E)	1.9 TiD	129	01/07 12/09
9-5 Estate (YS3E)	2.0 t	136	07/00 07/01
9-5 Estate (YS3E)	2.0 t	141	10/98 07/00
9-5 Estate (YS3E)	2.0 t	110	10/98 12/09
9-5 Estate (YS3E)	2.0 t BioPower	110	01/06 12/09
9-5 Estate (YS3E)	2.0 t Biopower	132	09/05 12/09
9-5 Estate (YS3E)	2.2 TiD	88	03/02 12/09
9-5 Estate (YS3E)	2.3 t	136	01/01 12/09
9-5 Estate (YS3E)	2.3 t	125	10/98 12/09
9-5 Estate (YS3E)	2.3 t BioPower	136	01/07 12/09

9-5 Estate (YS3E)	2.3 t BioPower	152	11/06 12/09
9-5 Estate (YS3E)	2.3 t BioPower	154	11/06 12/09
9-5 Estate (YS3E)	3.0 TiD	130	07/01 12/09
9-5 Estate (YS3E)	3.0 V6t	147	10/98 12/09
VAUXHALL			
Model	Type	Kw	Year
CALIBRA (C89)	2.0 i Turbo 4x4	150	03/92 07/97
CALIBRA (C89)	2.5 i V6	125	04/93 07/97
SPEEDSTER (E01)	2.2	108	03/01 09/06
VECTRA (B) Estate (J96)	1.8 Dualfuel (F35)	92	09/00 03/02
VECTRA (B) Estate (J96)	1.8 i 16V (F35)	92	09/00 03/02
VECTRA (B) Estate (J96)	1.8 i 16V (F35)	85	11/96 09/00
VECTRA (B) Estate (J96)	2.0 DI 16V (F35)	60	08/95 10/01
VECTRA (B) Estate (J96)	2.0 DTI 16V (F35)	74	08/95 10/01
VECTRA (B) Estate (J96)	2.0 i 16V (F35)	100	10/95 01/01
VECTRA (B) Estate (J96)	2.2 DTI 16V (F35)	92	08/95 10/01
VECTRA (B) Estate (J96)	2.2 i 16V (F35)	108	08/95 10/01
VECTRA (B) Estate (J96)	2.5 i GSi (F35)	143	05/98 09/99
VECTRA (B) Estate (J96)	2.5 i V6 (F35)	125	11/96 08/00
VECTRA (B) Estate (J96)	2.6 i V6 (F35)	125	09/00 03/02
VECTRA (B) Hatchback (J96)	1.6 i (F68)	55	08/95 10/01
VECTRA (B) Hatchback (J96)	1.6 i 16V (F68)	74	08/95 10/01
VECTRA (B) Hatchback (J96)	1.8 Dualfuel (F68)	92	09/00 07/03
VECTRA (B) Hatchback (J96)	1.8 i 16V (F68)	92	09/00 07/03
VECTRA (B) Hatchback (J96)	1.8 i 16V (F68)	85	10/95 09/00
VECTRA (B) Hatchback (J96)	2.0 Di 16V (F68)	60	08/95 10/01
VECTRA (B) Hatchback (J96)	2.0 DTi 16V (F68)	74	06/97 10/01
VECTRA (B) Hatchback (J96)	2.0 i 16V (F68)	100	10/95 01/01
VECTRA (B) Hatchback (J96)	2.2 DTI 16V (F68)	92	08/95 10/01
VECTRA (B) Hatchback (J96)	2.2 i 16V (F68)	108	09/00 07/03
VECTRA (B) Hatchback (J96)	2.5 i GSi (F68)	143	03/98 07/00
VECTRA (B) Hatchback (J96)	2.5 i V6 (F68)	125	09/95 08/00
VECTRA (B) Hatchback (J96)	2.6 i V6 (F68)	125	09/00 07/03
VECTRA (B) Saloon (J96)	1.6 i (F19)	55	08/95 10/01

VECTRA (B) Saloon (J96)	1.6 i 16V (F19)	74	08/95 10/01
VECTRA (B) Saloon (J96)	1.8 Dualfuel (F19)	92	09/00 03/02
VECTRA (B) Saloon (J96)	1.8 i 16V (F19)	92	09/00 03/02
VECTRA (B) Saloon (J96)	1.8 i 16V (F19)	85	10/95 09/00
VECTRA (B) Saloon (J96)	1.8 i 16V (F19)	85	10/95 09/00
VECTRA (B) Saloon (J96)	2.0 DI 16V (F19)	60	08/95 10/01
VECTRA (B) Saloon (J96)	2.0 DTI 16V (F19)	74	08/95 10/01
VECTRA (B) Saloon (J96)	2.0 i 16V (F19)	100	10/95 01/01
VECTRA (B) Saloon (J96)	2.2 DTI 16V (F19)	92	08/95 10/01
VECTRA (B) Saloon (J96)	2.2 i 16V (F19)	108	08/95 10/01
VECTRA (B) Saloon (J96)	2.5 i GSi (F19)	143	03/98 07/00
VECTRA (B) Saloon (J96)	2.5 i V6 (F19)	125	09/95 08/00
VECTRA (B) Saloon (J96)	2.6 i V6 (F19)	125	09/00 03/02
VX220 Convertible (E01)	2.0 i Turbo	147	03/01 07/05
VX220 Convertible (E01)	2.2 i	108	09/00 07/05

OE Part number

Compatible OE codes

OPEL	569056
SAAB	32025723
SAAB	4566840
SAAB	4837019
SAAB	4839007
SAAB	4839320
SAAB	5390786
VAUXHALL	569056
VAUXHALL	90496327
VAUXHALL	90512029
VAUXHALL	93177674
VAUXHALL	93179053