

BRAKE DISC PAINTED 09.6997.11

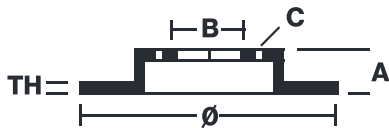
The 09.6997.11 painted brake disc is synonymous with reliability

The Brembo brake disc with special UV paint treatment guarantees superior corrosion resistance for the product, thanks to the protective coating on the outer edges and on the disc hub. The UV paint not only gives the disc a clean, shiny appearance but is also beneficial for the environment as the water-based UV paint treatment does not require the use of chemical solvents and is a low energy consumption process.



- ✓ OE-equivalent
- ✓ Brembo quality
- ✓ ECE-R90 certificate
- ✓ Safety
- ✓ High carbon
- ✓ Anti-corrosion

Technical specifications



EAN code
8020584023341 **Front and rear**

Diameter
288 mm

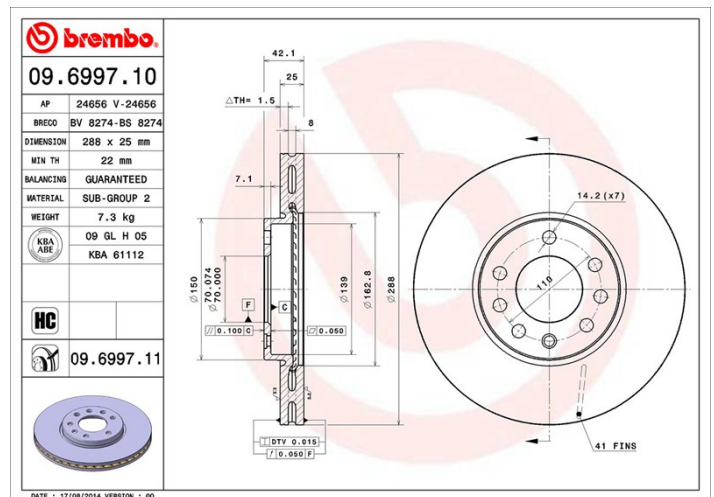
Thickness (TH)
25 mm Height (A)
42 mm

Number of holes (C)
5

Brake disc type
Ventilated Centering (B)
70 mm

Min. thickness
22 mm

Tightening torque
110 Nm Units per box
2



COMPATIBLE VEHICLES

BAIC

SENOVA D70	1.8	130/177	05/13 12/18
SENOVA D70	2.0	150/204	05/13 12/18
SENOVA D70	2.3	184/250	05/13 12/18

LOTUS

ELISE	1.8	90/122	11/00 08/05
ELISE	1.8	118/160	05/02
ELISE	1.8	140/190	11/02

OPEL

CALIBRA A (C89)	2.0 i Turbo 4x4 (M07)	150/204	08/91 07/97
CALIBRA A (C89)	2.5 i V6 (M07)	125/170	04/93 07/97
SPEEDSTER (E01)	2.0 Turbo (R97)	147/200	08/02 08/06
SPEEDSTER (E01)	2.2 (R97)	108/147	06/00 08/05
VECTRA B (J96)	1.6 GL (F19)	60/82	09/95 08/96
VECTRA B (J96)	1.6 i (F19)	55/75	10/95 04/02
VECTRA B (J96)	1.6 i (F19)	55/75	10/95 04/02
VECTRA B (J96)	1.6 i 16V (F19)	74/100	10/95 04/02
VECTRA B (J96)	1.8 i 16V (F19)	85/115	10/95 09/00
VECTRA B (J96)	1.8 i 16V (F19)	85/116	10/95 09/00
VECTRA B (J96)	1.8 i 16V (F19)	92/125	09/00 04/02
VECTRA B (J96)	2.0 DI 16V (F19)	60/82	11/96 04/02
VECTRA B (J96)	2.0 DTI 16V (F19)	74/101	06/97 04/02
VECTRA B (J96)	2.0 i (F19)	82/112	10/95 04/02
VECTRA B (J96)	2.0 i 16V (F19)	100/136	09/95 06/00
VECTRA B (J96)	2.2 DTI 16V (F19)	92/125	09/00 04/02
VECTRA B (J96)	2.2 DTI 16V (F19)	88/120	09/00 04/02
VECTRA B (J96)	2.2 i 16V (F19)	102/139	07/00 07/02
VECTRA B (J96)	2.2 i 16V (F19)	108/147	09/00 04/02
VECTRA B (J96)	2.5 i V6 (F19)	125/170	10/95 09/00
VECTRA B (J96)	2.6 i V6 (F19)	125/170	09/00 04/02
VECTRA B Estate (J96)	1.6 i (F35)	55/75	11/96 06/00
VECTRA B Estate (J96)	1.6 i (F35)	55/75	11/96 06/00
VECTRA B Estate (J96)	1.6 i 16V (F35)	74/100	11/96 07/02
VECTRA B Estate (J96)	1.8 i 16V (F35)	85/116	11/96 09/00
VECTRA B Estate (J96)	1.8 i 16V (F35)	85/115	11/96 09/00
VECTRA B Estate (J96)	1.8 i 16V (F35)	92/125	09/00 07/03
VECTRA B Estate (J96)	2.0 DI 16V (F35)	60/82	11/96 06/00
VECTRA B Estate (J96)	2.0 DTI 16V (F35)	74/101	06/97 07/03
VECTRA B Estate (J96)	2.0 i (F35)	82/112	11/96 02/02
VECTRA B Estate (J96)	2.0 i 16V (F35)	85/116	07/00 07/03
VECTRA B Estate (J96)	2.0 i 16V (F35)	100/136	11/96 06/00
VECTRA B Estate (J96)	2.2 DTI 16V (F35)	92/125	09/00 07/03
VECTRA B Estate (J96)	2.2 DTI 16V (F35)	88/120	09/00 04/02
VECTRA B Estate (J96)	2.2 i 16V (F35)	102/139	07/00 07/02
VECTRA B Estate (J96)	2.2 i 16V (F35)	108/147	09/00 07/03
VECTRA B Estate (J96)	2.5 i V6 (F35)	125/170	11/96 09/00
VECTRA B Estate (J96)	2.6 i V6 (F35)	125/170	09/00 07/03
VECTRA B Hatchback (J96)	1.6 i (F68)	55/75	10/95 07/03
VECTRA B Hatchback (J96)	1.6 i (F68)	55/75	10/95 07/03
VECTRA B Hatchback (J96)	1.6 i 16V (F68)	74/101	10/95 07/02

VECTRA B Hatchback (J96)	1.8 FlexFuel (F68)	85/116	01/99 09/00
VECTRA B Hatchback (J96)	1.8 i 16V (F68)	85/116	10/95 09/00
VECTRA B Hatchback (J96)	1.8 i 16V (F68)	85/116	10/95 09/00
VECTRA B Hatchback (J96)	1.8 i 16V (F68)	92/125	09/00 07/03
VECTRA B Hatchback (J96)	2.0 DI 16V (F68)	60/82	11/96 06/00
VECTRA B Hatchback (J96)	2.0 DTI 16V (F68)	74/101	06/97 07/03
VECTRA B Hatchback (J96)	2.0 i (F68)	82/112	10/95 02/02
VECTRA B Hatchback (J96)	2.0 i 16V (F68)	85/116	07/00 07/03
VECTRA B Hatchback (J96)	2.0 i 16V (F68)	100/136	09/95 06/00
VECTRA B Hatchback (J96)	2.2 DTI 16V (F68)	92/125	09/00 07/03
VECTRA B Hatchback (J96)	2.2 DTI 16V (F68)	88/120	09/00 04/02
VECTRA B Hatchback (J96)	2.2 i 16V (F68)	102/139	07/00 07/02
VECTRA B Hatchback (J96)	2.2 i 16V (F68)	108/147	09/00 07/03
VECTRA B Hatchback (J96)	2.5 (F68)	144/196	10/99 06/00
VECTRA B Hatchback (J96)	2.5 i V6 (F68)	125/170	10/95 09/00
VECTRA B Hatchback (J96)	2.6 i V6 (F68)	125/170	09/00 07/03

SAAB

900 II	2.0 -16 Turbo	136/185	07/93 02/98
900 II	2.0 i	96/131	08/94 02/98
900 II	2.3 -16	110/150	07/93 02/98
900 II	2.5 -24 V6	125/170	07/93 02/98
900 II Convertible	2.0 -16 Turbo	136/185	12/93 02/98
900 II Convertible	2.0 i	96/131	12/93 02/98
900 II Convertible	2.3 -16	110/150	12/93 02/98
900 II Convertible	2.5 -24 V6	125/170	12/93 02/98
900 II Coupe	2.0 -16 Turbo	136/185	12/93 02/98
900 II Coupe	2.0 i	96/131	08/94 02/98
900 II Coupe	2.3 -16	110/150	12/93 02/98
900 II Coupe	2.5 -24 V6	125/170	12/93 02/98
9-3 (YS3D)	2.0 i	96/131	02/98 09/02
9-3 (YS3D)	2.0 SE Turbo	147/200	02/98 09/02
9-3 (YS3D)	2.0 Turbo	136/185	02/98 09/02
9-3 (YS3D)	2.0 Turbo	113/154	10/98 09/02
9-3 (YS3D)	2.0 Turbo	151/205	10/99 09/02
9-3 (YS3D)	2.0 Turbo	110/150	03/99 09/02
9-3 (YS3D)	2.2 TiD	85/115	02/98 11/00
9-3 (YS3D)	2.2 TiD	92/125	11/00 09/02
9-3 (YS3D)	2.3	169/230	09/99 01/02
9-3 (YS3D)	2.3 i	110/150	02/98 09/02
9-3 (YS3D)	2.3 Turbo	165/224	10/98 09/02
9-3 Cabriolet (YS3D)	2.0 i	96/131	02/98 08/03
9-3 Cabriolet (YS3D)	2.0 SE Turbo	147/200	02/98 08/03
9-3 Cabriolet (YS3D)	2.0 Turbo	110/150	01/01 08/03
9-3 Cabriolet (YS3D)	2.0 Turbo	113/154	10/98 08/03
9-3 Cabriolet (YS3D)	2.0 Turbo	151/205	10/99 08/03
9-3 Cabriolet (YS3D)	2.0 Turbo	136/185	02/98 08/03
9-3 Cabriolet (YS3D)	2.3	169/230	09/99 01/02

9-3 Cabriolet (YS3D)	2.3 i	110/150	02/98 08/03
9-3 Cabriolet (YS3D)	2.3 Turbo	165/224	10/99 08/03
9-5 (YS3E)	1.9 TiD	110/150	01/06 12/09
9-5 (YS3E)	2.0 t	136/185	07/00 12/09
9-5 (YS3E)	2.0 t	110/150	09/97 12/09
9-5 (YS3E)	2.0 t Biopower	132/179	09/05 12/09
9-5 (YS3E)	2.0 t BioPower	110/150	01/05 12/09
9-5 (YS3E)	2.0 Turbo SE	141/192	10/98 07/00
9-5 (YS3E)	2.2 TiD	88/120	03/02 12/09
9-5 (YS3E)	2.3 t	125/170	09/97 12/09
9-5 (YS3E)	2.3 t	136/185	01/01 12/09
9-5 (YS3E)	2.3 t BioPower	152/207	11/06 12/09
9-5 (YS3E)	2.3 t BioPower	136/185	01/07 12/09
9-5 (YS3E)	2.3 Turbo	134/182	04/08 12/09
9-5 (YS3E)	3.0 TiD	130/177	07/01 12/09
9-5 (YS3E)	3.0 V6t	147/200	01/98 12/09
9-5 Estate (YS3E)	1.9 TiD	110/150	01/06 12/09
9-5 Estate (YS3E)	1.9 TiD	129/175	01/07 12/09
9-5 Estate (YS3E)	2.0 t	141/192	10/98 07/00
9-5 Estate (YS3E)	2.0 t	136/185	07/00 07/01
9-5 Estate (YS3E)	2.0 t	110/150	10/98 12/09
9-5 Estate (YS3E)	2.0 t Biopower	132/179	09/05 12/09
9-5 Estate (YS3E)	2.0 t BioPower	110/150	01/06 12/09
9-5 Estate (YS3E)	2.2 TiD	88/120	03/02 12/09
9-5 Estate (YS3E)	2.3 t	136/185	01/01 12/09
9-5 Estate (YS3E)	2.3 t	125/170	10/98 12/09
9-5 Estate (YS3E)	2.3 t BioPower	154/210	11/06 12/09
9-5 Estate (YS3E)	2.3 t BioPower	136/185	01/07 12/09
9-5 Estate (YS3E)	2.3 t BioPower	152/207	11/06 12/09
9-5 Estate (YS3E)	3.0 TiD	130/177	07/01 12/09
9-5 Estate (YS3E)	3.0 V6t	147/200	10/98 12/09

VAUXHALL

CALIBRA (C89)	2.0 i Turbo 4x4	150/204	03/92 07/97
CALIBRA (C89)	2.5 i V6	125/170	04/93 07/97
VECTRA (B) Estate (J96)	1.8 Dualfuel (F35)	92/125	09/00 03/02
VECTRA (B) Estate (J96)	1.8 i 16V (F35)	85/116	09/96 09/00
VECTRA (B) Estate (J96)	1.8 i 16V (F35)	85/115	11/96 09/00
VECTRA (B) Estate (J96)	1.8 i 16V (F35)	92/125	09/00 03/02
VECTRA (B) Estate (J96)	2.0 DI 16V (F35)	60/82	08/95 10/01
VECTRA (B) Estate (J96)	2.0 DTI 16V (F35)	74/101	08/95 10/01
VECTRA (B) Estate (J96)	2.0 Dualfuel (F35)	100/136	10/98 01/01
VECTRA (B) Estate (J96)	2.0 i 16V (F35)	100/136	10/95 01/01
VECTRA (B) Estate (J96)	2.2 DTI 16V (F35)	92/125	08/95 10/01
VECTRA (B) Estate (J96)	2.2 i 16V (F35)	108/147	08/95 10/01
VECTRA (B) Estate (J96)	2.5 i GSi (F35)	143/194	05/98 09/99
VECTRA (B) Estate (J96)	2.5 i V6 (F35)	125/170	11/96 08/00

VECTRA (B) Estate (J96)	2.6 i V6 (F35)	125/170	09/00 03/02
VECTRA (B) Hatchback (J96)	1.6 i (F68)	55/75	08/95 10/01
VECTRA (B) Hatchback (J96)	1.6 i 16V (F68)	74/101	08/95 10/01
VECTRA (B) Hatchback (J96)	1.8 Dualfuel (F68)	92/125	09/00 07/03
VECTRA (B) Hatchback (J96)	1.8 i 16V (F68)	85/116	09/95 09/00
VECTRA (B) Hatchback (J96)	1.8 i 16V (F68)	85/116	10/95 09/00
VECTRA (B) Hatchback (J96)	1.8 i 16V (F68)	92/125	09/00 07/03
VECTRA (B) Hatchback (J96)	2.0 Di 16V (F68)	60/82	08/95 10/01
VECTRA (B) Hatchback (J96)	2.0 DTi 16V (F68)	74/101	06/97 10/01
VECTRA (B) Hatchback (J96)	2.0 Dualfuel (F68)	100/136	08/98 01/01
VECTRA (B) Hatchback (J96)	2.0 i 16V (F68)	100/136	10/95 01/01
VECTRA (B) Hatchback (J96)	2.2 DTi 16V (F68)	92/125	08/95 10/01
VECTRA (B) Hatchback (J96)	2.2 i 16V (F68)	108/147	09/00 07/03
VECTRA (B) Hatchback (J96)	2.5 i GSi (F68)	143/194	03/98 07/00
VECTRA (B) Hatchback (J96)	2.5 i V6 (F68)	125/170	09/95 08/00
VECTRA (B) Hatchback (J96)	2.6 i V6 (F68)	125/170	09/00 07/03
VECTRA (B) Saloon (J96)	1.6 i (F19)	55/75	08/95 10/01
VECTRA (B) Saloon (J96)	1.6 i 16V (F19)	74/100	08/95 10/01
VECTRA (B) Saloon (J96)	1.8 Dualfuel (F19)	92/125	09/00 03/02
VECTRA (B) Saloon (J96)	1.8 i 16V (F19)	85/115	10/95 09/00
VECTRA (B) Saloon (J96)	1.8 i 16V (F19)	85/116	10/95 09/00
VECTRA (B) Saloon (J96)	1.8 i 16V (F19)	92/125	09/00 03/02
VECTRA (B) Saloon (J96)	2.0 Di 16V (F19)	60/82	08/95 10/01
VECTRA (B) Saloon (J96)	2.0 DTi 16V (F19)	74/101	08/95 10/01
VECTRA (B) Saloon (J96)	2.0 Dualfuel (F19)	100/136	05/98 01/01
VECTRA (B) Saloon (J96)	2.0 i 16V (F19)	100/136	10/95 01/01
VECTRA (B) Saloon (J96)	2.2 DTi 16V (F19)	92/125	08/95 10/01
VECTRA (B) Saloon (J96)	2.2 i 16V (F19)	108/147	08/95 10/01
VECTRA (B) Saloon (J96)	2.5 i GSi (F19)	143/194	03/98 07/00
VECTRA (B) Saloon (J96)	2.5 i V6 (F19)	125/170	09/95 08/00
VECTRA (B) Saloon (J96)	2.6 i V6 (F19)	125/170	09/00 03/02
VX220 Convertible (E01)	2.0 i Turbo	147/200	03/01 07/05
VX220 Convertible (E01)	2.2 i	108/147	09/00 07/05

COMPATIBLE OE PART NUMBERS

B117J0028F	LOTUS
4801584	OPEL
4801628	OPEL
569009	OPEL
569056	OPEL
569357	OPEL
93182284	OPEL
32025723	SAAB
4566840	SAAB

4837019	SAAB
4839007	SAAB
4839320	SAAB
5390786	SAAB
569056	VAUXHALL
90496327	VAUXHALL
90512029	VAUXHALL
93177674	VAUXHALL
93179053	VAUXHALL
93182284	VAUXHALL