

Disc technical data

Axle Front

Diameter
296 mm

Overall height (A)
55 mm

Centring diameter (B)
79 mm

Number of holes (C)
5

Thickness (TH)
28 mm

Minimum thickness
26,4 mm

Tightening torque
120 Nm

Unit per box
2

EANCode
8020584711514

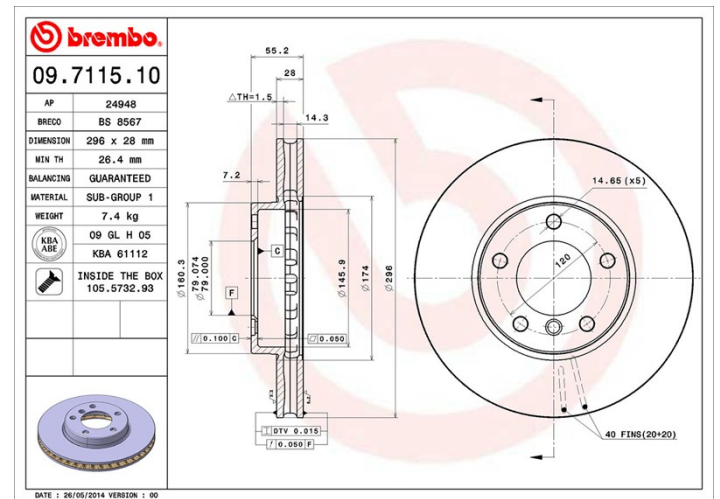


Brand part numbers

Brembo
09.7115.10

AP
24948

Breco
BS 8567



Technical specifications

Disc with fixing screw

By supplying the fixing screw in the disc box, Brembo provides extra help to the mechanic if the original screw is rusty or worn to such an extent as to prevent or make it difficult to reuse.



Compatible vehicles

BMW			
Model	Type	Kw	Year
5 (E34)	525 iX 24V	141	10/91 08/95
5 Touring (E34)	525 ix	141	01/92 03/96

OE Part number

Compatible OE codes	
BMW	34111158550
BMW	34111165263