

## Disc technical data

**Axle** Rear

**Diameter**  
305 mm

**Overall height (A)**  
67,8 mm

**Centring diameter (B)**  
73,8 mm

**Number of holes (C)**  
5

**Thickness (TH)**  
20 mm

**Minimum thickness**  
18,5 mm

**Tightening torque**   
103 Nm

**Unit per box**  
2

**EANCode**  
8020584030943

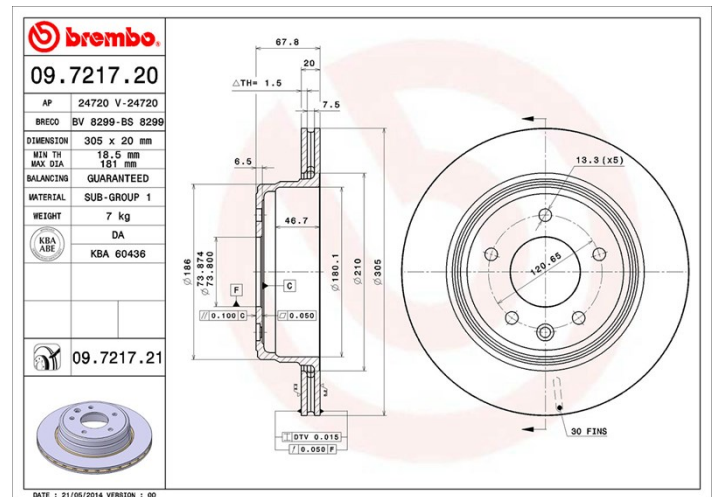


## Brand part numbers

**Brembo**  
09.7217.21

**AP**  
24720 V

**Breco**  
BV 8299



## Technical specifications

### UV Disc

The UV coating process provides a superior corrosion resistance and full disc protection.



## Compatible vehicles

### JAGUAR

Model	Type	Kw	Year
XJ (X300, X330)	6 3.2	155	11/94 07/97
XJ (X300, X330)	6 Sovereign 4.0	177	09/94 07/97
XJ (X308)	3.2	174	07/97 05/03
XJ (X308)	4.0	209	07/97 05/03
XJ (X308)	4.0	267	07/97 05/03
XJ (X308)	4.0	216	10/97 04/03
XK 8 Convertible (X100)	4.0	267	02/98 07/05

XK 8 Convertible (X100)	4.0	209	03/96 12/02
XK 8 Convertible (X100)	4.0	216	05/96 07/99
XK 8 Convertible (X100)	4.2	219	08/02 12/06
XK 8 Coupe (X100)	4.0	267	02/98 07/05
XK 8 Coupe (X100)	4.0	209	03/96 07/05
XK 8 Coupe (X100)	4.0	216	05/96 07/05
XK 8 Coupe (X100)	4.2	219	08/02 07/05

## OE Part number

### Compatible OE codes

JAGUAR	C2C41251
JAGUAR	JLM11904
JAGUAR	JLM12428
JAGUAR	JLM20342