

Disc technical data

Axle Front

Diameter
257 mm

Overall height (A)
45,2 mm

Centring diameter (B)
61 mm

Number of holes (C)
4

Thickness (TH)
26 mm

Minimum thickness
24 mm

Tightening torque
108 Nm

Unit per box
2

EANCode
8020584735718

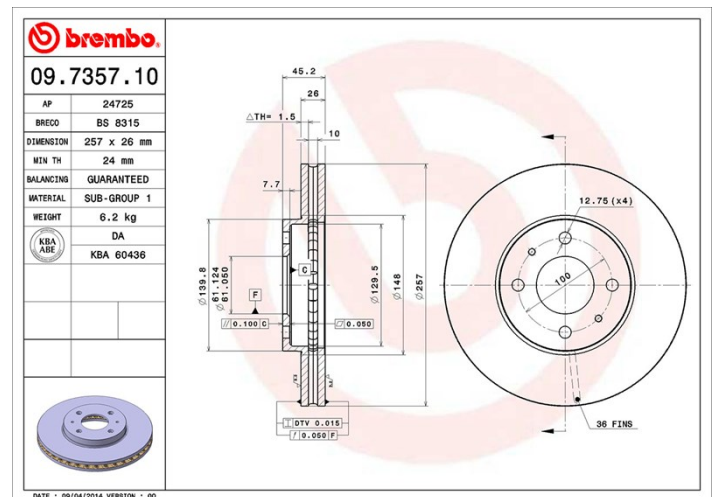


Brand part numbers

Brembo
09.7357.10

AP
24725

Breco
BS 8315



Technical specifications

Compatible vehicles

NISSAN

Model	Type	Kw	Year
100 NX (B13)	2.0	110	10/90 10/94
100 NX (B13)	2.0 GTI	105	03/91 10/94
ALMERA I Hatchback (N15)	2.0 GTi	105	07/96 03/00
SUNNY III (N14)	2.0	104	08/90 12/96
SUNNY III Hatchback (N14)	2.0 GTI 16V	105	10/90 05/95
SUNNY III Hatchback (N14)	2.0 GTI-R 4x4	162	10/90 05/95
SUNNY III Liftback (N14)	2.0 i 16V	105	10/90 05/95

OE Part number

Compatible OE codes

