

## Disc technical data

**Axle** Front

**Diameter**  
282 mm

**Overall height (A)**  
38 mm

**Centring diameter (B)**  
73,5 mm

**Number of holes (C)**  
5

**Thickness (TH)**  
24 mm

**Minimum thickness**  
22,4 mm

**Tightening torque**   
129 Nm

**Unit per box**  
2

**EANCode**  
8020584013304

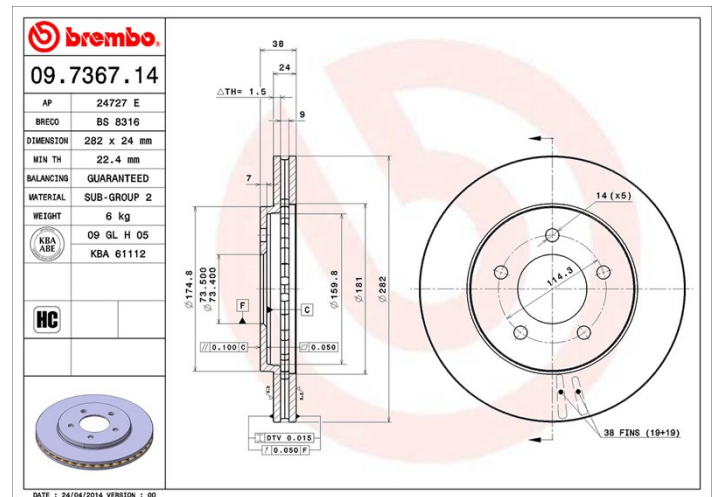


## Brand part numbers

**Brembo**  
09.7367.14

**AP**  
24727 E

**Breco**  
BS 8316



## Technical specifications

## Compatible vehicles

### CHRYSLER

Model	Type	Kw	Year
VOYAGER / GRAND VOYAGER III (GS)	2.0 i	98	01/95 03/01
VOYAGER / GRAND VOYAGER III (GS)	2.4 AWD	111	02/97 03/01
VOYAGER / GRAND VOYAGER III (GS)	2.4 i	111	01/95 03/01
VOYAGER / GRAND VOYAGER III (GS)	2.5 TD	85	01/95 03/01
VOYAGER / GRAND VOYAGER III (GS)	2.5 TDic AWD	85	10/95 03/01
VOYAGER / GRAND VOYAGER III (GS)	3.0	112	01/95 03/01
VOYAGER / GRAND VOYAGER III (GS)	3.3 i	116	01/95 03/01
VOYAGER / GRAND VOYAGER III (GS)	3.8 i AWD	122	01/95 03/01
VOYAGER / GRAND VOYAGER III (GS)	3.8 i AWD	131	01/95 03/01

**DODGE**

Model	Type	Kw	Year
CARAVAN	2.0 i	98	01/95 03/01
CARAVAN	2.4 i	111	01/95 03/01
CARAVAN	2.5 TD	85	01/95 03/01
CARAVAN	3.0	112	01/95 06/00
CARAVAN	3.3 i	116	01/95 03/01
CARAVAN	3.8 i	122	01/95 03/01
CARAVAN	3.8 i	131	01/95 03/01
CARAVAN	3.8 i AWD	122	01/95 03/01
CARAVAN	3.8 i AWD	131	01/95 03/01

**PLYMOUTH**

Model	Type	Kw	Year
VOYAGER / GRAND VOYAGER	2.0 i	98	01/95 03/01
VOYAGER / GRAND VOYAGER	2.4 i	111	01/95 03/01
VOYAGER / GRAND VOYAGER	2.5 TD	85	01/95 03/01
VOYAGER / GRAND VOYAGER	3.0	112	01/95 03/01
VOYAGER / GRAND VOYAGER	3.3 Flex-Fuel	116	01/98 03/01
VOYAGER / GRAND VOYAGER	3.3 i	116	01/95 03/01
VOYAGER / GRAND VOYAGER	3.8 i	122	01/95 03/01
VOYAGER / GRAND VOYAGER	3.8 i	131	01/95 03/01
VOYAGER / GRAND VOYAGER	3.8 i AWD	122	01/95 03/01
VOYAGER / GRAND VOYAGER	3.8 i AWD	131	01/95 03/01

**OE Part number****Compatible OE codes**

CHRYSLER	4721820
CHRYSLER	4721820AE
DODGE	4721820
DODGE	4721820AE
PLYMOUTH	4721820
PLYMOUTH	4721820AE