

Disc technical data

Axle Front

Diameter
286 mm

Overall height (A)
66 mm

Centring diameter (B)
72 mm

Number of holes (C)
5

Thickness (TH)
26 mm

Minimum thickness
24,5 mm

Tightening torque
Nm

Unit per box
2

EANCode
8020584765210

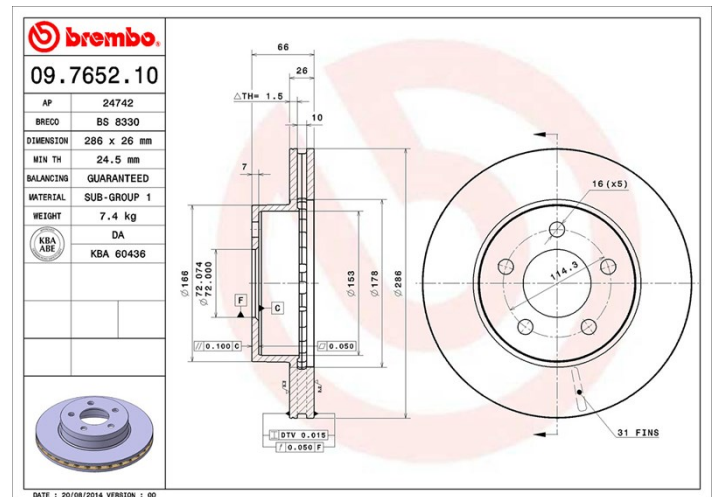


Brand part numbers

Brembo
09.7652.10

AP
24742

Breco
BS 8330



Technical specifications

Compatible vehicles

FORD USA

Model	Type	Kw	Year
EXPLORER (U2)	4.0 4WD	150	10/99 12/01
EXPLORER (U2)	4.0 V6 4WD	115	03/95 12/01
EXPLORER (U2)	4.0 V6 4WD	152	10/96 12/01
EXPLORER (U2)	4.0 V6 4WD	150	10/98 12/01
EXPLORER (U2)	5.0 4WD	157	01/96 12/01
EXPLORER (UN46)	4.0 V6 4WD	121	01/93 12/94

OE Part number

Compatible OE codes

MERCURY

F67Z1125BA