



BRAKE DISC MAX

09.7701.75

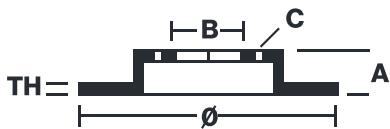
The 09.7701.75 Max brake disc is synonymous with reliability

The Brembo Max brake disc features grooves on the braking surface. The special shape of the grooves generates greater fading resistance and constant renewal of friction material, quickly restoring optimum braking conditions. The UV paint completes the sporty look.



- ✓ Brembo quality
- ✓ ECE-R90 certificate
- ✓ Performance
- ✓ Sports driving
- ✓ Sporty look
- ✓ High carbon
- ✓ Anti-corrosion
- ✓ Fastening screws

Technical specifications



EAN code
8020584770177

Axle
Front

Diameter Ø
300 mm

Thickness (TH)
22 mm

Height (A)
52 mm

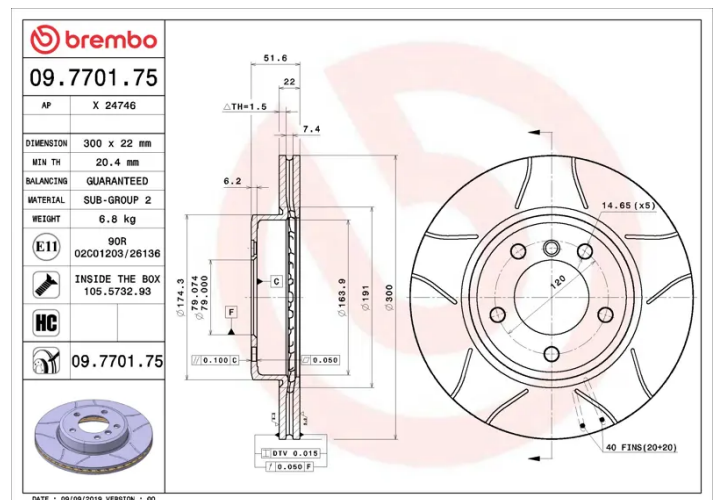
Number of holes (C)
5

Brake disc type
Ventilated

Centering (B)
79 mm

Min. thickness
20,4 mm

Tightening torque
120 Nm



COMPATIBLE VEHICLES

COMPATIBLE OE PART NUMBERS

34111164539	BMW
34116757526	BMW
34116766224	BMW
34116794302	BMW
34116855152	BMW
34116864058	BMW
34111164539	BMW (BRILLIANCE)
34116757526	BMW (BRILLIANCE)
34116766224	BMW (BRILLIANCE)
34116855152	BMW (BRILLIANCE)
34116864058	BMW (BRILLIANCE)