
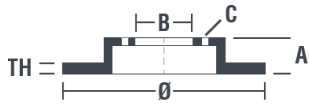


## Disc technical data

<b>Axle</b> Front	<b>Diameter</b> 305 mm
<b>Overall height (A)</b> 49,5 mm	<b>Centring diameter (B)</b> 73,8 mm
<b>Number of holes (C)</b> 5	<b>Thickness (TH)</b> 28 mm
<b>Minimum thickness</b> 26 mm	<b>Tightening torque</b>  103 Nm
<b>Unit per box</b> 1	<b>EANCode</b> 8020584030479

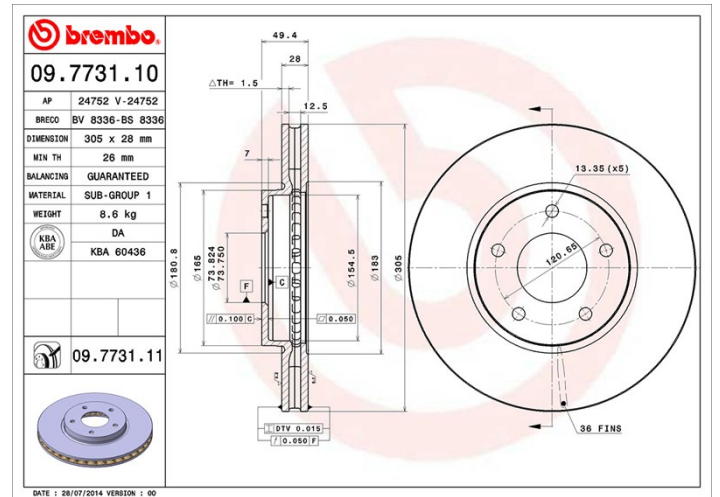


## Brand part numbers

**Brembo**  
09.7731.11

**AP**  
24752 V

**Breco**  
BV 8336



## Technical specifications

### UV Disc

The UV coating process provides a superior corrosion resistance and full disc protection.



## Compatible vehicles

### JAGUAR

Model	Type	Kw	Year
XJ (X308)	3.2	174	07/97 05/03
XJ (X308)	4.0	209	07/97 05/03
XJ (X308)	4.0	267	07/97 05/03
XJ (X308)	4.0	216	10/97 04/03
XK 8 Convertible (X100)	4.0	267	02/98 07/05
XK 8 Convertible (X100)	4.0	209	03/96 12/02
XK 8 Convertible (X100)	4.0	216	05/96 07/99

XK 8 Coupe (X100)	4.0	267	02/98 07/05
XK 8 Coupe (X100)	4.0	209	03/96 07/05
XK 8 Coupe (X100)	4.0	216	05/96 07/05

## OE Part number

### Compatible OE codes

JAGUAR	C2C41249
JAGUAR	JLM20150
JAGUAR	JLM20653