

Disc technical data

Axle Front, Rear

Diameter
330 mm

Overall height (A)
141 mm

Centring diameter (B)
215 mm

Number of holes (C)
8

Thickness (TH)
34 mm

Minimum thickness
28 mm

Tightening torque
Nm

Unit per box
1

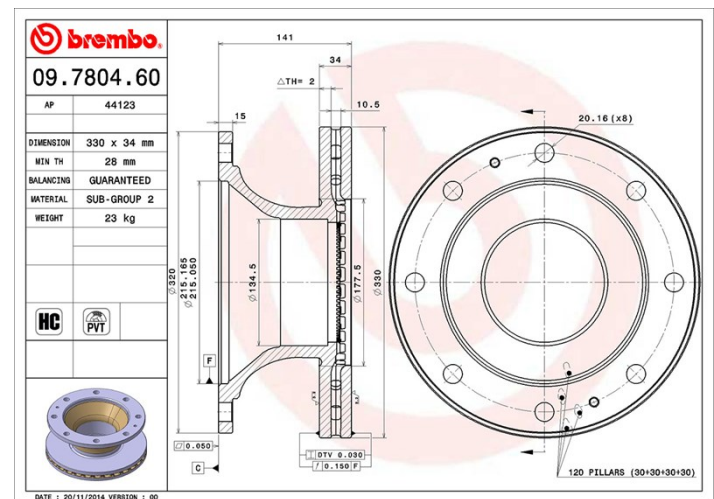
EANCode
8020584780466



Brand part numbers

Brembo
09.7804.60

AP
44123



Technical specifications

PVT vented disc

The PVT disc uses, in its ventilation chamber, pillars instead of vanes. Disc cooling capacity is enhanced by an extra 40% and therefore provides more resistance against thermal cracking.



High Carbon disc (HC)

Thanks to the high percentage of carbon in the chemical composition of the cast iron, the HC disc provides greater damping coefficient, able to reduce vibration and noise while driving.



Compatible vehicles

IVECO

| Model | Type | Kw | Year |
|-----------------|---|-----|-------------|
| EuroCargo I-III | 110 E 18 tector, 110 E 18 P tector, 110 EL 18 P tector | 134 | 09/06 09/15 |
| EuroCargo I-III | 110 E 22 tector, 110 E 22 P tector, 110 EL 22 P tector | 160 | 09/06 09/15 |
| EuroCargo I-III | 120 EL 17, 120 EL 17 P tector, 120 E 18, 120 EL 18 tector | 125 | 09/00 09/15 |
| EuroCargo I-III | 120 EL 21, 120 EL 21 P tector, 120 E 22, 120 EL 22 tector | 154 | 09/00 09/15 |

OE Part number

Compatible OE codes

| | |
|-------|---------|
| IVECO | 1906466 |
|-------|---------|

| | |
|-------|---------|
| IVECO | 2997450 |
|-------|---------|

| | |
|-------|---------|
| IVECO | 7183632 |
|-------|---------|