

Disc technical data

Axle Front

Diameter
316 mm

Overall height (A)
46,5 mm

Centring diameter (B)
67 mm

Number of holes (C)
5

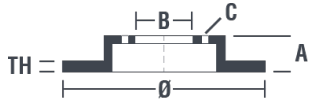
Thickness (TH)
28 mm

Minimum thickness
25,4 mm

Tightening torque
110 Nm

Unit per box
2

EANCode
8020584012031

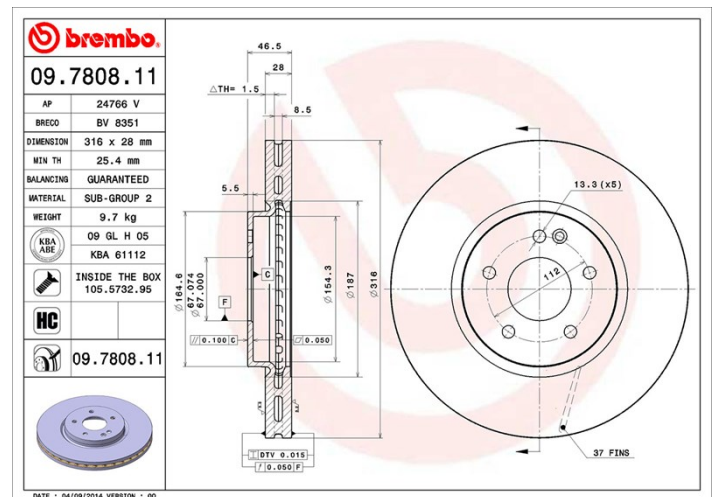


Brand part numbers

Brembo
09.7808.11

AP
24766 V

Breco
BV 8351



Technical specifications

High Carbon disc (HC)

Thanks to the high percentage of carbon in the chemical composition of the cast iron, the HC disc provides greater damping coefficient, able to reduce vibration and noise while driving.

HC

Disc with fixing screw

By supplying the fixing screw in the disc box, Brembo provides extra help to the mechanic if the original screw is rusty or worn to such an extent as to prevent or make it difficult to reuse.



UV Disc

The UV coating process provides a superior corrosion resistance and full disc protection.



Compatible vehicles

MERCEDES-BENZ

Model	Type	Kw	Year
C-CLASS (W202)	C 36 AMG (202.028)	206	05/94 05/00
CLK (C208)	430 (208.370)	205	07/98 06/02
CLK Convertible (A208)	430 (208.470)	205	09/98 03/02

E-CLASS (W210)	E 420 (210.072)	205	01/96 06/97
E-CLASS (W210)	E 430 (210.070)	205	06/97 03/02
E-CLASS T-Model (S210)	E 420 T (210.272)	205	06/96 06/97
E-CLASS T-Model (S210)	E 430 T (210.270)	205	06/97 03/03

OE Part number

Compatible OE codes

MERCEDES-BENZ	2104211412
MERCEDES-BENZ	2104211712
MERCEDES-BENZ	2104212012
MERCEDES-BENZ	A2104211412
MERCEDES-BENZ	A2104211712
MERCEDES-BENZ	A2104212012