

Disc technical data

Axle Front

Diameter
284 mm

Overall height (A)
38,2 mm

Centring diameter (B)
64,2 mm

Number of holes (C)
5

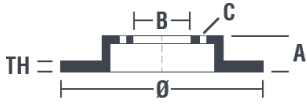
Thickness (TH)
22 mm

Minimum thickness
19 mm

Tightening torque
125 Nm

Unit per box
2

EANCode
8020584787915

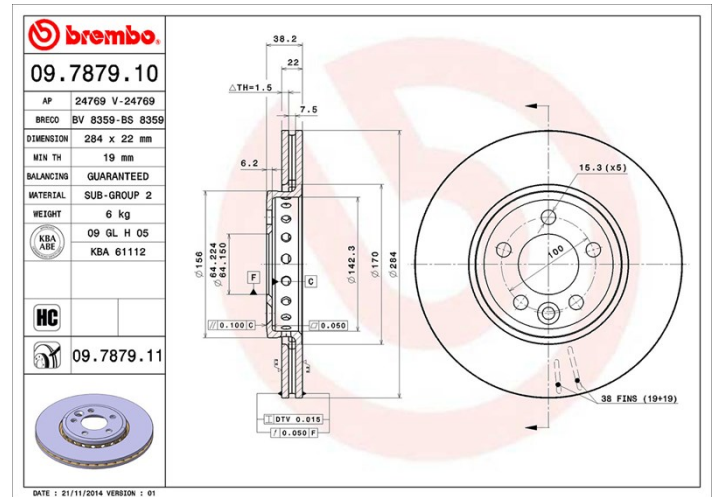


Brand part numbers

Brembo
09.7879.10

AP
24769

Breco
BS 8359



Technical specifications

Compatible vehicles

MG			
Model	Type	Kw	Year
MG ZT	1.8 16V	88	01/03 07/05
MG ZT	1.8 T 16V	118	01/03 07/05
MG ZT	160	118	06/01 07/05
MG ZT	180	130	02/04 10/05
MG ZT	190	140	06/01 07/05
MG ZT	2.0 CDTi	85	06/02 09/03
MG ZT	2.0 CDTi	96	11/02 07/05
MG ZT- T	1.8 16V	88	01/03 07/05
MG ZT- T	1.8 T 16V	118	01/03 07/05

MG ZT- T	160	118	10/01 07/05
MG ZT- T	180	130	02/04 10/05
MG ZT- T	190	140	10/01 07/05
MG ZT- T	2.0 CDTi	85	06/02 07/05
MG ZT- T	2.0 CDTi	96	11/02 07/05

MG (SAIC)

Model	Type	Kw	Year
6 Hatchback	1.8	98	12/09 -
6 Hatchback	1.8 Turbo	118	12/09 -
6 Saloon	1.8	98	01/11 -
6 Saloon	1.8 Turbo	118	12/09 -

ROEWE (SAIC)

Model	Type	Kw	Year
550 / e550	1.8	98	06/08 -
550 / e550	1.8 Turbo	118	06/08 12/13
550 / e550	PLUG-IN / Hybrid 1.5	80	11/13 -
750	1.8 Hybrid	118	05/11 -
750	1.8 Turbo	118	03/07 12/08
750	2.5	135	01/07 12/15

ROVER

Model	Type	Kw	Year
75 (RJ)	1.8	88	02/99 05/05
75 (RJ)	1.8 Turbo	110	05/03 05/05
75 (RJ)	2.0 CDT	85	02/99 05/05
75 (RJ)	2.0 CDTi	96	02/03 05/05
75 (RJ)	2.0 V6	110	02/99 05/05
75 (RJ)	2.5 V6	129	02/99 10/01
75 (RJ)	2.5 V6	130	10/01 05/05
75 Tourer (RJ)	1.8	88	08/01 05/05
75 Tourer (RJ)	1.8 Turbo	110	05/03 05/05
75 Tourer (RJ)	2.0 CDT	85	08/01 05/05
75 Tourer (RJ)	2.0 CDTi	96	02/03 05/05

75 Tourer (RJ)	2.0 V6	110	08/01 05/05
75 Tourer (RJ)	2.5 V6	130	08/01 05/05

OE Part number

Compatible OE codes

MG	GBD90844
MG	SDB000880
MG	SDB100940
ROVER	GBD90844
ROVER	SDB000880
ROVER	SDB100940