

Disc technical data

Axle Rear

Diameter
288 mm

Overall height (A)
32,5 mm

Centring diameter (B)
64,5 mm

Number of holes (C)
5

Thickness (TH)
20 mm

Minimum thickness
18,5 mm

Tightening torque
128 Nm

Unit per box
2

EANCode
8020584791127

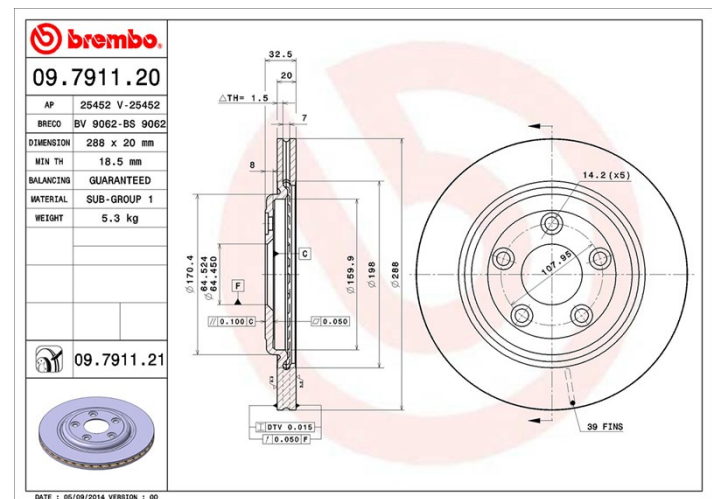


Brand part numbers

Brembo
09.7911.20

AP
25452

Breco
BS 9062



Technical specifications

Compatible vehicles

JAGUAR

Model	Type	Kw	Year
S-TYPE (X200)	2.5 V6	147	04/02 10/07
S-TYPE (X200)	2.7 D	152	06/04 10/07
S-TYPE (X200)	3.0 V6	175	01/99 10/07
S-TYPE (X200)	4.0 V8	203	01/99 04/02
S-TYPE (X200)	4.0 V8	209	09/99 12/02
S-TYPE (X200)	4.2 V8	219	04/02 10/07
XJ (X350)	3.0	179	04/04 01/07
XJ (X350)	3.0	175	05/03 03/09
XJ (X350)	3.6	190	05/03 03/09

XJ (X350)	4.2	219	05/03 03/09
-----------	-----	-----	-------------

XJ (X350)	D 2.7	152	10/05 03/09
-----------	-------	-----	-------------

OE Part number

Compatible OE codes

JAGUAR	JLM20802
--------	----------

JAGUAR	XR827087
--------	----------

JAGUAR	XR858224
--------	----------