

Disc 09.8411.75

brembo
AFTERMARKET

Disc technical data

Axle Front

Diameter
288 mm

Overall height (A)
46,5 mm

Centring diameter (B)
67 mm

Number of holes (C)
5

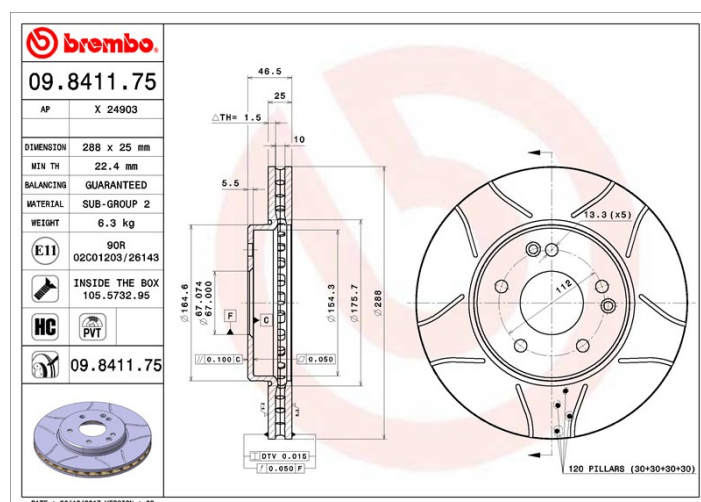
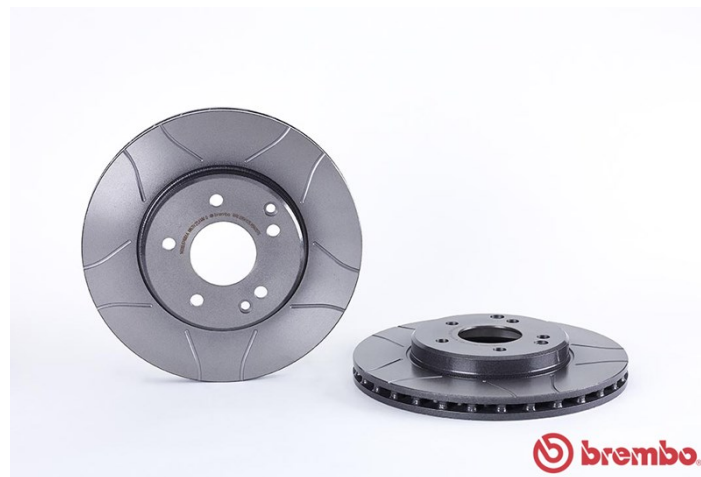
Thickness (TH)
25 mm

Minimum thickness
22,4 mm

Tightening torque 
110 Nm

Unit per box
2

EANCode
8020584841174



Brand part numbers

Brembo
09.8411.75

AP
X 24903

Technical specifications

PVT vented disc

The PVT disc uses, in its ventilation chamber, pillars instead of vanes. Disc cooling capacity is enhanced by an extra 40% and therefore provides more resistance against thermal cracking.

High Carbon disc (HC)

Thanks to the high percentage of carbon in the chemical composition of the cast iron, the HC disc provides greater damping coefficient, able to reduce vibration and noise while driving.

Disc with fixing screw

By supplying the fixing screw in the disc box, Brembo provides extra help to the mechanic if the original screw is rusty or worn to such an extent as to prevent or make it difficult to reuse.

UV Disc

The UV coating process provides a superior corrosion resistance and full disc protection.



Compatible vehicles

MERCEDES-BENZ

Model	Type	Kw	Year
C-CLASS (W203)	C 180 (203.035)	95	10/00 05/02
C-CLASS (W203)	C 180 Kompressor (203.046)	105	05/02 02/07

C-CLASS (W203)	C 200 CDI (203.004)	75	02/01 06/03
C-CLASS (W203)	C 200 CDI (203.004)	85	09/00 06/03
C-CLASS (W203)	C 200 CDI (203.007)	90	04/03 02/07
C-CLASS (W203)	C 200 CGI Kompressor (203.043)	125	07/03 02/07
C-CLASS (W203)	C 200 Kompressor (203.042)	120	05/02 02/07
C-CLASS (W203)	C 200 Kompressor (203.045)	120	05/00 06/02
C-CLASS (W203)	C 220 CDI (203.006)	100	05/00 02/07
C-CLASS (W203)	C 220 CDI (203.006)	105	05/00 02/07
C-CLASS (W203)	C 220 CDI (203.008)	110	02/03 02/07
C-CLASS (W203)	C 230 Kompressor (203.040)	141	02/04 02/07
C-CLASS Coupe (CL203)	C 160 Kompressor (203.730)	90	05/02 05/08
C-CLASS Coupe (CL203)	C 180 (203.735)	95	03/01 05/02
C-CLASS Coupe (CL203)	C 180 Kompressor (203.746)	105	05/02 05/08
C-CLASS Coupe (CL203)	C 200 CDI (203.707)	90	03/03 05/08
C-CLASS Coupe (CL203)	C 200 CGI Kompressor (203.743)	125	03/03 05/08
C-CLASS Coupe (CL203)	C 200 Kompressor (203.742)	120	05/02 05/08
C-CLASS Coupe (CL203)	C 200 Kompressor (203.745)	120	03/01 05/02
C-CLASS Coupe (CL203)	C 220	120	05/02 05/08
C-CLASS Coupe (CL203)	C 220 CDI	100	03/01 01/04
C-CLASS Coupe (CL203)	C 220 CDI (203.706)	105	03/01 01/04
C-CLASS Coupe (CL203)	C 220 CDI (203.708)	110	02/04 05/08
C-CLASS Coupe (CL203)	C 230 Kompressor (203.740)	141	05/02 05/08
C-CLASS Coupe (CL203)	C 230 Kompressor (203.747)	145	03/01 05/02
C-CLASS T-Model (S203)	C 180 (203.235)	95	03/01 05/02
C-CLASS T-Model (S203)	C 180 Kompressor (203.246)	105	05/02 08/07
C-CLASS T-Model (S203)	C 200 CDI (203.204)	85	03/01 08/07
C-CLASS T-Model (S203)	C 200 CDI (203.204, 203.207)	75	03/01 08/07
C-CLASS T-Model (S203)	C 200 CDI (203.207)	90	04/03 08/07
C-CLASS T-Model (S203)	C 200 CGI Kompressor (203.243)	125	07/03 08/07
C-CLASS T-Model (S203)	C 200 Kompressor (203.242)	120	05/02 08/07
C-CLASS T-Model (S203)	C 200 Kompressor (203.245)	120	03/01 05/02
C-CLASS T-Model (S203)	C 220 CDI (203.206)	105	03/01 08/07

C-CLASS T-Model (S203)	C 220 CDI (203.208)	110	02/04 08/07
C-CLASS T-Model (S203)	C 220 CDI (203.208)	100	08/06 08/07
CLC-CLASS (CL203)	CLC 160 (203.731)	95	02/09 06/11
CLC-CLASS (CL203)	CLC 180 Kompressor (203.746)	105	05/08 06/11
CLC-CLASS (CL203)	CLC 200 CDI (203.707)	90	05/08 06/11
CLC-CLASS (CL203)	CLC 220 CDI (203.708)	110	05/08 06/11
CLK (C209)	200 CGI (209.343)	125	07/03 05/09
CLK (C209)	200 Kompressor (209.342)	120	09/02 05/09
CLK (C209)	220 CDI (209.308)	100	01/05 05/09
CLK (C209)	220 CDI (209.308)	110	01/05 05/09
CLK Convertible (A209)	CLK 200 CGI (209.343)	125	07/03 03/10
CLK Convertible (A209)	CLK 200 Kompressor (209.442)	120	02/03 03/10
SLK (R171)	200 Kompressor (171.442)	120	03/04 02/11

OE Part number

Compatible OE codes

MERCEDES-BENZ	2034210312
MERCEDES-BENZ	A2034210312