

Disc technical data

Axle Front

Diameter
322 mm

Overall height (A)
115,3 mm

Centring diameter (B)
160 mm

Number of holes (C)
6

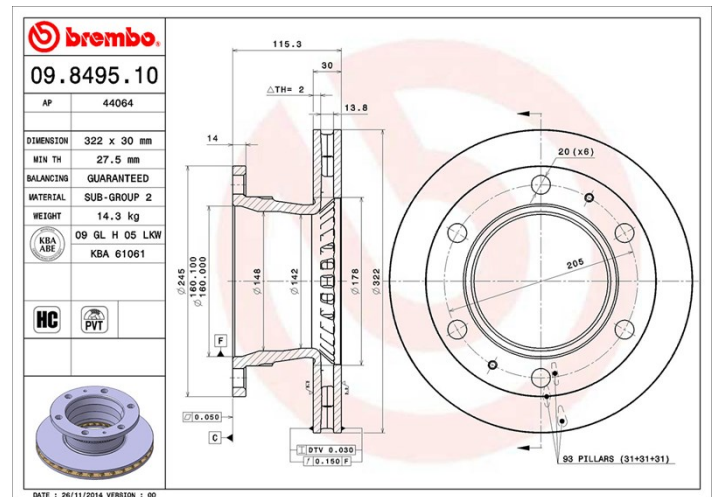
Thickness (TH)
30 mm

Minimum thickness
27,5 mm

Tightening torque
Nm

Unit per box
1

EANCode
8020584849514



Brand part numbers

Brembo
09.8495.10

AP
44064

Technical specifications

High Carbon disc (HC)

Thanks to the high percentage of carbon in the chemical composition of the cast iron, the HC disc provides greater damping coefficient, able to reduce vibration and noise while driving.

HC

Compatible vehicles

NISSAN

Model	Type	Kw	Year
ATLEON	75.16, 165.75	117	09/00 -

OE Part number

Compatible OE codes

NISSAN 402069X405