

## Disc technical data

**Axle** Front

**Diameter**  
344 mm

**Overall height (A)**  
76 mm

**Centring diameter (B)**  
79 mm

**Number of holes (C)**  
5

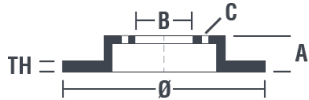
**Thickness (TH)**  
30 mm

**Minimum thickness**  
28,4 mm

**Tightening torque**   
140 Nm

**Unit per box**  
1

**EANCode**  
8020584028322

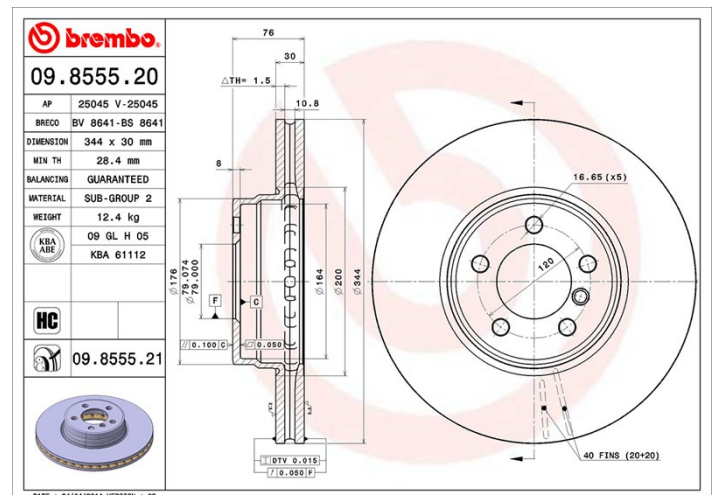


## Brand part numbers

**Brembo**  
09.8555.21

**AP**  
25045 V

**Breco**  
BV 8641



## Technical specifications

### High Carbon disc (HC)

Thanks to the high percentage of carbon in the chemical composition of the cast iron, the HC disc provides greater damping coefficient, able to reduce vibration and noise while driving.

**HC**

### UV Disc

The UV coating process provides a superior corrosion resistance and full disc protection.



## Compatible vehicles

### LAND ROVER

Model	Type	Kw	Year
RANGE ROVER III (L322)	3.0 D 4x4	130	03/02 08/12
RANGE ROVER III (L322)	3.6 D 4x4	200	04/06 08/12
RANGE ROVER III (L322)	4.2 4x4	291	05/05 08/12
RANGE ROVER III (L322)	4.4 4x4	210	03/02 08/05
RANGE ROVER III (L322)	4.4 4x4	225	05/05 08/12

**OE Part number****Compatible OE codes**

---

LAND ROVER	SDB000200
------------	-----------

---

LAND ROVER	SDB000201
------------	-----------

---