

Disc  
09.8697.80

**brembo**  
AFTERMARKET

## Disc technical data

**Axle** Front

**Diameter**  
332 mm

**Overall height (A)**  
62,1 mm

**Centring diameter (B)**  
75 mm

**Number of holes (C)**  
5

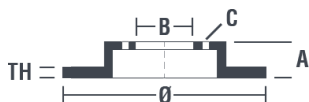
**Thickness (TH)**  
30 mm

**Minimum thickness**  
28,4 mm

**Tightening torque**   
140 Nm

**Unit per box**  
1

**EANCode**  
8020584869789



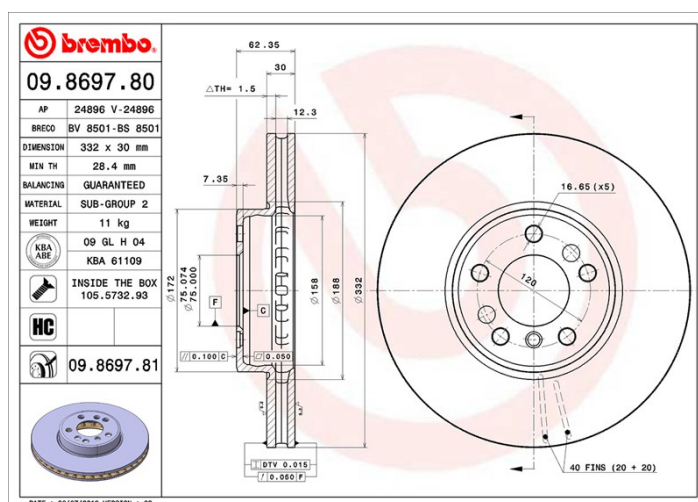
**brembo**

## Brand part numbers

**Brembo**  
09.8697.80

**AP**  
24896

**Breco**  
BS 8501



## Technical specifications

### High Carbon disc (HC)

Thanks to the high percentage of carbon in the chemical composition of the cast iron, the HC disc provides greater damping coefficient, able to reduce vibration and noise while driving.

**HC**

### Disc with fixing screw

By supplying the fixing screw in the disc box, Brembo provides extra help to the mechanic if the original screw is rusty or worn to such an extent as to prevent or make it difficult to reuse.



## Compatible vehicles

### BMW

Model	Type	Kw	Year
X3 (E83)	3.0 sd	210	09/06 08/08
X3 (E83)	xDrive 35 d	210	09/08 08/11
X5 (E53)	3.0 d	135	05/01 12/03
X5 (E53)	3.0 d	155	09/03 12/06
X5 (E53)	3.0 d	160	12/03 12/06
X5 (E53)	3.0 i	170	05/00 12/06

X5 (E53)	4.4 i	210	05/00 12/03
X5 (E53)	4.4 i	235	12/03 09/06

## OE Part number

### Compatible OE codes

BMW	34116750713
BMW	34116756045
BMW	34116765457
BMW	34116766036
BMW	34116794300
BMW	34116794304
BMW	34116859679