

Disc technical data

Axle Rear

Diameter
330 mm

Overall height (A)
49,2 mm

Centring diameter (B)
68 mm

Number of holes (C)
5

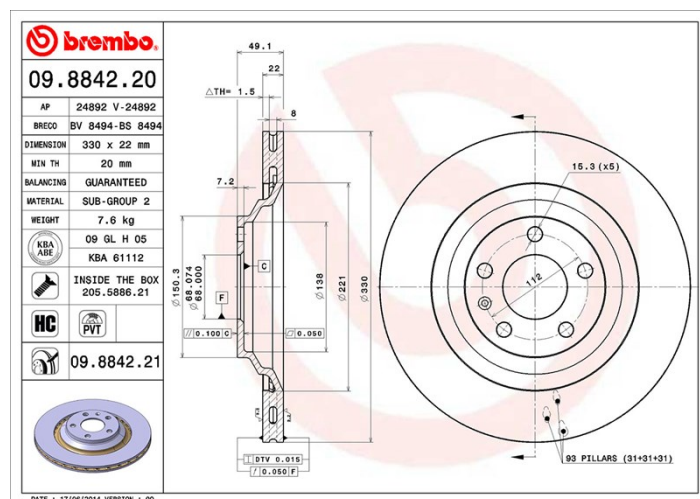
Thickness (TH)
22 mm

Minimum thickness
20 mm

Tightening torque
120 Nm

Unit per box
1

EANCode
8020584026571



Brand part numbers

Brembo
09.8842.21

AP
24892 V

Breco
BV 8494

Technical specifications

PVT vented disc

The PVT disc uses, in its ventilation chamber, pillars instead of vanes. Disc cooling capacity is enhanced by an extra 40% and therefore provides more resistance against thermal cracking.



High Carbon disc (HC)

Thanks to the high percentage of carbon in the chemical composition of the cast iron, the HC disc provides greater damping coefficient, able to reduce vibration and noise while driving.



Disc with fixing screw

By supplying the fixing screw in the disc box, Brembo provides extra help to the mechanic if the original screw is rusty or worn to such an extent as to prevent or make it difficult to reuse.



UV Disc

The UV coating process provides a superior corrosion resistance and full disc protection.



Compatible vehicles

AUDI

| Model | Type | Kw | Year |
|--------------|---------|-----|-------------|
| A6 (4F2, C6) | 2.7 TDI | 140 | 10/08 03/11 |

| | | | |
|--------------------|------------------|-----|-------------|
| A6 (4F2, C6) | 2.7 TDI quattro | 140 | 10/08 03/11 |
| A6 (4F2, C6) | 2.7 TDI quattro | 132 | 11/04 10/08 |
| A6 (4F2, C6) | 3.0 TDI quattro | 155 | 05/04 03/11 |
| A6 (4F2, C6) | 3.0 TDI quattro | 165 | 05/04 05/06 |
| A6 (4F2, C6) | 3.0 TDI quattro | 171 | 06/06 10/08 |
| A6 (4F2, C6) | 3.0 TDI quattro | 176 | 10/08 03/11 |
| A6 (4F2, C6) | 3.0 TFSI quattro | 213 | 10/08 03/11 |
| A6 (4F2, C6) | 3.0 TFSI quattro | 220 | 10/08 03/11 |
| A6 (4F2, C6) | 3.2 FSI | 188 | 05/04 05/09 |
| A6 (4F2, C6) | 3.2 FSI | 195 | 05/09 03/11 |
| A6 (4F2, C6) | 3.2 FSI quattro | 183 | 09/06 10/08 |
| A6 (4F2, C6) | 4.2 FSI quattro | 257 | 06/06 03/11 |
| A6 (4F2, C6) | 4.2 quattro | 246 | 05/04 05/06 |
| A6 Avant (4F5, C6) | 2.0 TFSI | 125 | 06/05 08/11 |
| A6 Avant (4F5, C6) | 2.4 | 130 | 03/05 10/08 |
| A6 Avant (4F5, C6) | 2.4 quattro | 130 | 03/05 10/08 |
| A6 Avant (4F5, C6) | 2.7 TDI | 120 | 03/05 08/11 |
| A6 Avant (4F5, C6) | 2.7 TDI | 132 | 03/05 10/08 |
| A6 Avant (4F5, C6) | 2.7 TDI | 140 | 10/08 08/11 |
| A6 Avant (4F5, C6) | 2.7 TDI quattro | 132 | 03/05 10/08 |
| A6 Avant (4F5, C6) | 2.7 TDI quattro | 120 | 06/05 08/11 |
| A6 Avant (4F5, C6) | 2.7 TDI quattro | 140 | 10/08 08/11 |
| A6 Avant (4F5, C6) | 2.8 FSI | 140 | 10/08 08/11 |
| A6 Avant (4F5, C6) | 2.8 FSI | 162 | 10/08 08/11 |
| A6 Avant (4F5, C6) | 2.8 FSI | 154 | 11/06 10/08 |
| A6 Avant (4F5, C6) | 2.8 FSI quattro | 154 | 06/07 10/08 |
| A6 Avant (4F5, C6) | 2.8 FSI quattro | 140 | 10/08 08/11 |
| A6 Avant (4F5, C6) | 2.8 FSI quattro | 162 | 10/08 08/11 |
| A6 Avant (4F5, C6) | 3.0 TDI quattro | 165 | 03/05 05/06 |
| A6 Avant (4F5, C6) | 3.0 TDI quattro | 155 | 03/05 08/11 |
| A6 Avant (4F5, C6) | 3.0 TDI quattro | 171 | 06/06 10/08 |

| | | | |
|--------------------|------------------|-----|-------------|
| A6 Avant (4F5, C6) | 3.0 TDI quattro | 176 | 10/08 08/11 |
| A6 Avant (4F5, C6) | 3.0 TFSI quattro | 213 | 10/08 08/11 |
| A6 Avant (4F5, C6) | 3.0 TFSI quattro | 220 | 10/08 08/11 |
| A6 Avant (4F5, C6) | 3.2 FSI | 188 | 03/05 10/08 |
| A6 Avant (4F5, C6) | 3.2 FSI quattro | 188 | 03/05 10/08 |
| A6 Avant (4F5, C6) | 4.2 FSI quattro | 257 | 06/06 08/11 |
| A6 Avant (4F5, C6) | 4.2 quattro | 246 | 03/05 05/06 |

AUDI (FAW)

| Model | Type | Kw | Year |
|---------------|------------------|-----|-------------|
| A6L (C6, 4Z8) | 2.7 TDI | 140 | 08/09 12/12 |
| A6L (C6, 4Z8) | 3.0 TFSI quattro | 213 | 09/08 12/12 |
| A6L (C6, 4Z8) | 3.2 | 188 | 09/05 12/08 |
| A6L (C6, 4Z8) | 3.2 quattro | 188 | 09/05 12/08 |
| A6L (C6, 4Z8) | 4.2 quattro | 257 | 11/06 10/08 |
| A6L (C6, 4Z8) | 4.2 quattro | 246 | 09/05 12/06 |

OE Part number

Compatible OE codes

| | |
|------|------------|
| AUDI | 4F0615601D |
| AUDI | 4F0615601F |