

## Disc technical data

**Axle** Front

**Diameter**  
305 mm

**Overall height (A)**  
63,4 mm

**Centring diameter (B)**  
72 mm

**Number of holes (C)**  
5

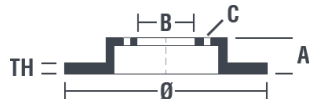
**Thickness (TH)**  
26 mm

**Minimum thickness**  
24,5 mm

**Tightening torque**   
115 Nm

**Unit per box**  
2

**EANCode**  
8020584885215

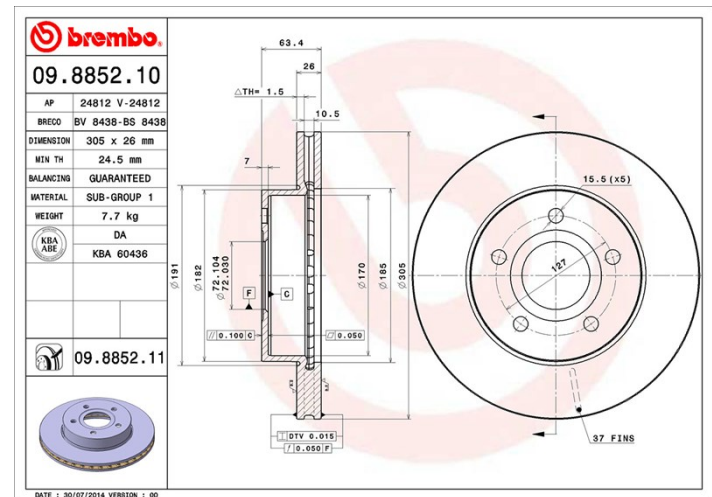


## Brand part numbers

**Brembo**  
09.8852.10

**AP**  
24812

**Breco**  
BS 8438



## Technical specifications

### Compatible vehicles

#### BEIJING BENZ (BBDC)

Model	Type	Kw	Year
JEEP 4700	4.7 All-wheel Drive	175	10/03 12/07

#### JEEP

Model	Type	Kw	Year
GRAND CHEROKEE II (WJ, WG)	2.7 CRD 4x4	120	10/01 09/05
GRAND CHEROKEE II (WJ, WG)	2.7 CRD 4x4	120	10/04 09/05
GRAND CHEROKEE II (WJ, WG)	3.1 TD 4x4	103	04/99 12/01
GRAND CHEROKEE II (WJ, WG)	4.0	140	10/98 09/04
GRAND CHEROKEE II (WJ, WG)	4.0 4x4	140	04/99 09/05
GRAND CHEROKEE II (WJ, WG)	4.7 V8 4x4	162	04/99 08/00

GRAND CHEROKEE II (WJ, WG)	4.7 V8 4x4	164	04/99 09/05
GRAND CHEROKEE II (WJ, WG)	4.7 V8 4x4	167	06/03 09/05
GRAND CHEROKEE II (WJ, WG)	4.7 V8 4x4	190	10/01 09/05

**JEEP (BJC)**

Model	Type	Kw	Year
GRAND CHEROKEE	4.7	175	02/99 08/01
SUPER CHEROKEE	2.4	78	03/99 05/03

**OE Part number**

**Compatible OE codes**

JEEP	52098672
------	----------