

Disc 09.8852.11



Disc technical data

Axle Front

Diameter
305 mm

Overall height (A)
63,4 mm

Centring diameter (B)
72 mm

Number of holes (C)
5

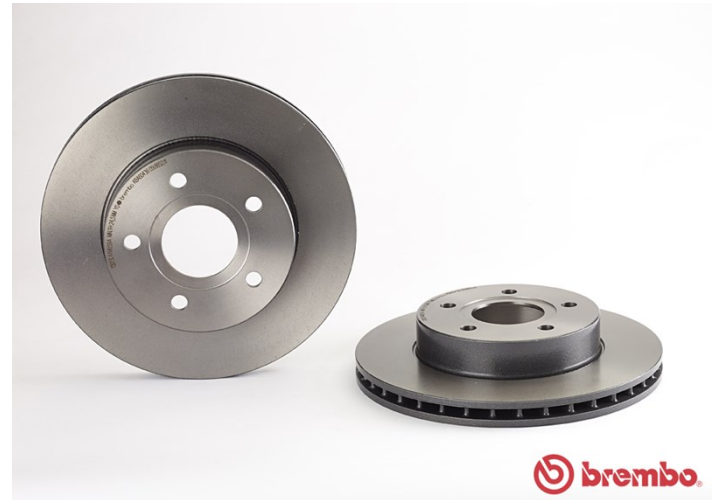
Thickness (TH)
26 mm

Minimum thickness
24,5 mm

Tightening torque 
115 Nm

Unit per box
2

EANCode
8020584025772

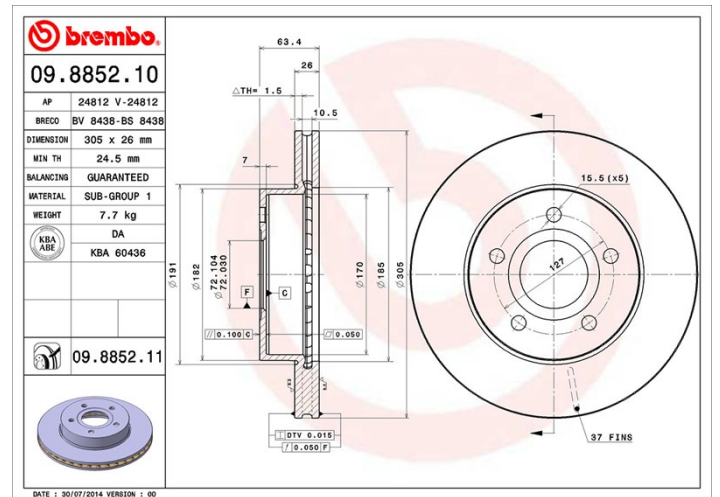


Brand part numbers

Brembo
09.8852.11

AP
24812 V

Breco
BV 8438



Technical specifications

UV Disc

The UV coating process provides a superior corrosion resistance and full disc protection.



Compatible vehicles

BEIJING BENZ (BBDC)

Model	Type	Kw	Year
JEEP 4700	4.7 All-wheel Drive	175	10/03 12/07

JEEP

Model	Type	Kw	Year
GRAND CHEROKEE II (WJ, WG)	2.7 CRD 4x4	120	10/01 09/05
GRAND CHEROKEE II (WJ, WG)	2.7 CRD 4x4	120	10/04 09/05
GRAND CHEROKEE II (WJ, WG)	3.1 TD 4x4	103	04/99 12/01
GRAND CHEROKEE II (WJ, WG)	4.0	140	10/98 09/04

GRAND CHEROKEE II (WJ, WG)	4.0 4x4	140	04/99 09/05
GRAND CHEROKEE II (WJ, WG)	4.7 V8 4x4	162	04/99 08/00
GRAND CHEROKEE II (WJ, WG)	4.7 V8 4x4	164	04/99 09/05
GRAND CHEROKEE II (WJ, WG)	4.7 V8 4x4	167	06/03 09/05
GRAND CHEROKEE II (WJ, WG)	4.7 V8 4x4	190	10/01 09/05

JEEP (BJC)

Model	Type	Kw	Year
GRAND CHEROKEE	4.7	175	02/99 08/01
SUPER CHEROKEE	2.4	78	03/99 05/03

OE Part number

Compatible OE codes

JEEP	52098672
------	----------