

## Disc technical data

**Axle** Front

**Diameter**  
278 mm

**Overall height (A)**  
47 mm

**Centring diameter (B)**  
72 mm

**Number of holes (C)**  
5

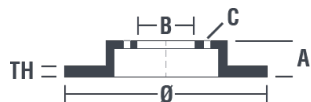
**Thickness (TH)**  
24 mm

**Minimum thickness**  
22 mm

**Tightening torque**   
133 Nm

**Unit per box**  
2

**EANCode**  
8020584034668

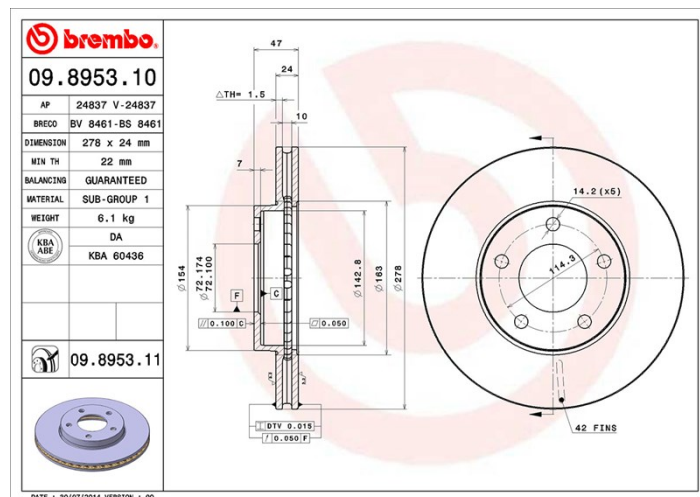


## Brand part numbers

**Brembo**  
09.8953.11

**AP**  
24837 V

**Breco**  
BV 8461



## Technical specifications

### UV Disc

The UV coating process provides a superior corrosion resistance and full disc protection.



## Compatible vehicles

### FORD

Model	Type	Kw	Year
MAVERICK	2.0 16V	91	02/01 -
MAVERICK	2.3 16V	110	03/04 -
MAVERICK	3.0 V6 24V	145	02/01 -
MAVERICK	3.0 V6 24V	149	03/04 -

### MAZDA

Model	Type	Kw	Year
TRIBUTE (EP)	2.0	91	03/00 05/08

TRIBUTE (EP)	2.0 4WD	91	03/00 05/08
TRIBUTE (EP)	2.3 All-wheel Drive	109	07/06 05/08
TRIBUTE (EP)	2.3 AWD	110	04/04 05/08
TRIBUTE (EP)	2.3 GX	110	12/03 10/04
TRIBUTE (EP)	3.0 V6 24V 4WD	145	03/00 05/08
TRIBUTE (EP)	3.0 V6 AWD	149	04/04 05/08

## OE Part number

### Compatible OE codes

FORD	4096352
FORD	4360107
FORD	4454777
MAZDA	E1003325XA
MAZDA	E1123325X
MAZDA	EC023325X
MAZDA	EF9Y3325X