

Disc technical data

Axle Front

Diameter
291 mm

Overall height (A)
66,8 mm

Centring diameter (B)
80 mm

Number of holes (C)
5

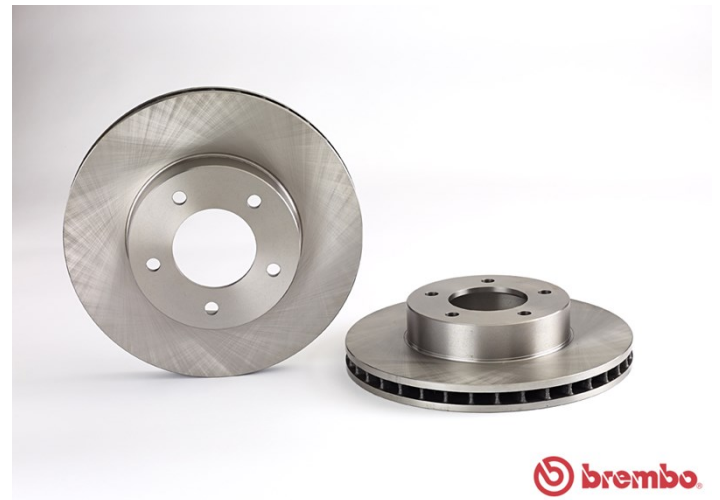
Thickness (TH)
28 mm

Minimum thickness
26 mm

Tightening torque
90 Nm

Unit per box
2

EANCode
8020584895511

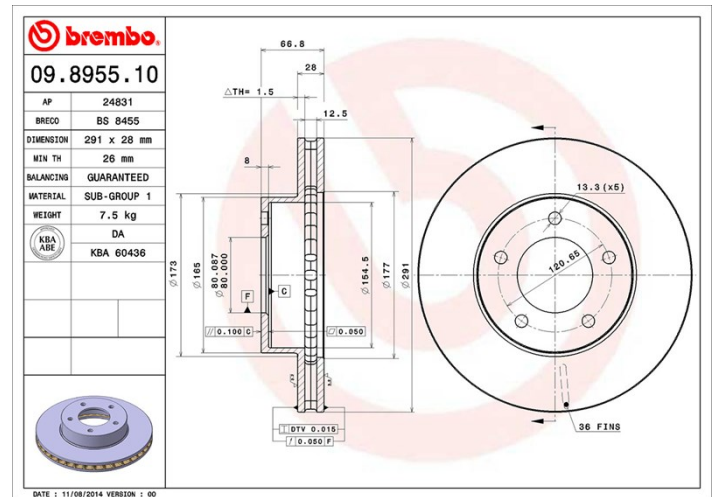


Brand part numbers

Brembo
09.8955.10

AP
24831

Breco
BS 8455



Technical specifications

Compatible vehicles

DAIMLER

Model	Type	Kw	Year
DAIMLER (XJ4_)	4.0	163	10/89 09/94
DAIMLER (XJ4_)	4.0 Super	183	09/92 09/94
XJ 40, 81	Sovereign 4.0	163	09/89 09/94

JAGUAR

Model	Type	Kw	Year
XJ (X300, X330)	6 3.2	155	11/94 07/97
XJ (X300, X330)	6 Sovereign 4.0	177	09/94 07/97
XJ (XJ40, XJ81)	4.0	166	10/89 08/94
XJ (XJ40, XJ81)	4.0	187	10/89 08/94

XJ (XJ40, XJ81)	6 3.2 24V	146	09/90 11/94
XJ (XJ40, XJ81)	6 4.0	163	09/89 11/94

OE Part number

Compatible OE codes

JAGUAR	JLM1826
JAGUAR	JLM20341