



BRAKE DISC

09.9078.10

The **09.9078.10** brake disc is synonymous with reliability

The Brembo brake disc is fully interchangeable with an Original Equipment brake disc. The control of the entire production cycle allows Brembo to offer brake discs with outstanding performance levels, reliability, durability and comfort in all conditions of use. All Brembo brake discs are accompanied by the ECE-R90 homologation.

- ✓ OE-equivalent
- ✓ Brembo quality
- ✓ ECE-R90 certificate
- ✓ Safety
- ✓ Fastening screws



Technical specifications



EAN code
8020584907818

Axle
Front

Diameter \varnothing
260 mm

Thickness (TH)
22 mm

Height (A)
44 mm

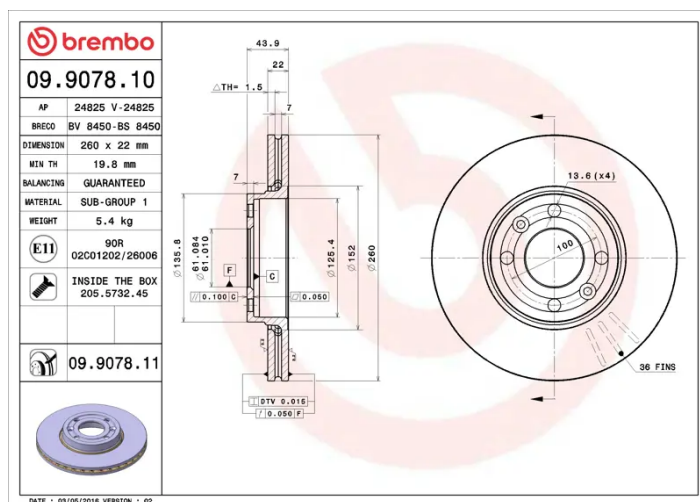
Number of holes (C)
4

Brake disc type
Ventilated

Centering (B)
61 mm

Min. thickness
19,8 mm

Tightening torque
105 Nm



COMPATIBLE VEHICLES

COMPATIBLE OE PART NUMBERS

402064911R	DACIA
------------	-------

7701207795	DACIA
------------	-------

8671016813	DACIA
------------	-------

7701207795	LADA
------------	------

4020600Q1M	NISSAN
------------	--------

40206AX600	NISSAN
------------	--------

40206AX602	NISSAN
------------	--------

40206AX603	NISSAN
------------	--------

40206AX60A	NISSAN
------------	--------

D0206AX60MRV	NISSAN
--------------	--------

402063AW0A	NISSAN (DFAC)
------------	---------------

402064911R	RENAULT
------------	---------

402068466R	RENAULT
------------	---------

7701207795	RENAULT
------------	---------

8671016813	RENAULT
------------	---------