

## Disc technical data

**Axle** Rear

**Diameter**  
324 mm

**Overall height (A)**  
65 mm

**Centring diameter (B)**  
79 mm

**Number of holes (C)**  
5

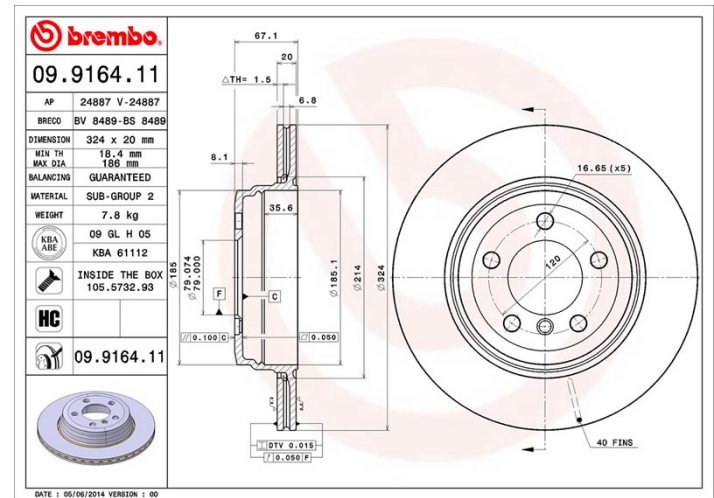
**Thickness (TH)**  
20 mm

**Minimum thickness**  
18,4 mm

**Tightening torque**   
140 Nm

**Unit per box**  
2

**EANCode**  
8020584017357



## Brand part numbers

**Brembo**  
09.9164.11

**AP**  
24887 V

**Breco**  
BV 8489

## Technical specifications

### High Carbon disc (HC)

Thanks to the high percentage of carbon in the chemical composition of the cast iron, the HC disc provides greater damping coefficient, able to reduce vibration and noise while driving.

**HC**

### Disc with fixing screw

By supplying the fixing screw in the disc box, Brembo provides extra help to the mechanic if the original screw is rusty or worn to such an extent as to prevent or make it difficult to reuse.



### UV Disc

The UV coating process provides a superior corrosion resistance and full disc protection.



## Compatible vehicles

### BMW

Model	Type	Kw	Year
7 (E65, E66, E67)	730 d	160	06/02 02/05
7 (E65, E66, E67)	730 d	150	09/02 08/03
7 (E65, E66, E67)	730 d	155	09/03 08/08
7 (E65, E66, E67)	730 i, Li	184	03/05 07/08
7 (E65, E66, E67)	730 i, Li	170	03/03 07/08

**OE Part number****Compatible OE codes**

BMW	34211166127
-----	-------------

---

BMW	34216864045
-----	-------------

---