

Disc technical data

Axle Front

Diameter
324 mm

Overall height (A)
81 mm

Centring diameter (B)
79 mm

Number of holes (C)
5

Thickness (TH)
30 mm

Minimum thickness
28,4 mm

Tightening torque
140 Nm

Unit per box
2

EANCode
8020584017326

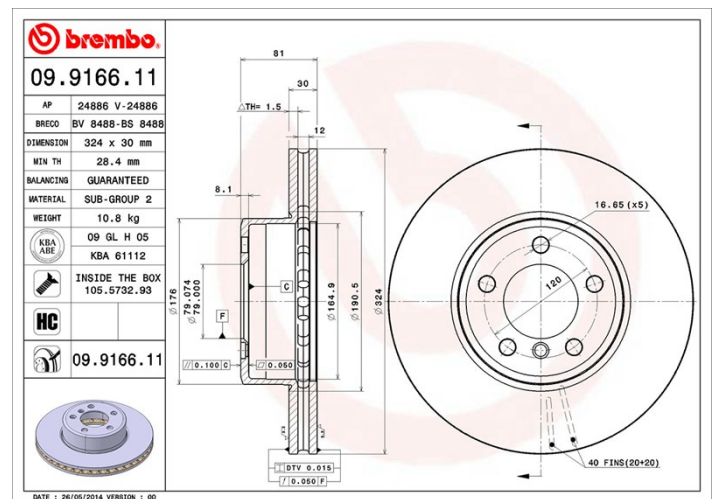


Brand part numbers

Brembo
09.9166.11

AP
24886 V

Breco
BV 8488



Technical specifications

High Carbon disc (HC)

Thanks to the high percentage of carbon in the chemical composition of the cast iron, the HC disc provides greater damping coefficient, able to reduce vibration and noise while driving.

HC

Disc with fixing screw

By supplying the fixing screw in the disc box, Brembo provides extra help to the mechanic if the original screw is rusty or worn to such an extent as to prevent or make it difficult to reuse.



UV Disc

The UV coating process provides a superior corrosion resistance and full disc protection.



Compatible vehicles

BMW

Model	Type	Kw	Year
7 (E65, E66, E67)	730 d	160	06/02 02/05
7 (E65, E66, E67)	730 d	150	09/02 08/03
7 (E65, E66, E67)	730 d	155	09/03 08/08

7 (E65, E66, E67)	730 i, Li	184	03/05 07/08
7 (E65, E66, E67)	730 i, Li	170	03/03 07/08
7 (E65, E66, E67)	730 i, Li	190	03/05 07/08
7 (E65, E66, E67)	735 i, Li	200	11/01 02/05

OE Part number

Compatible OE codes

BMW	34116750265
BMW	34116864049