

Disc technical data

Axle Front

Diameter
348 mm

Overall height (A)
81 mm

Centring diameter (B)
79 mm

Number of holes (C)
5

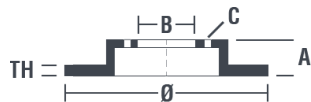
Thickness (TH)
30 mm

Minimum thickness
28,4 mm

Tightening torque
140 Nm

Unit per box
1

EANCode
8020584935514

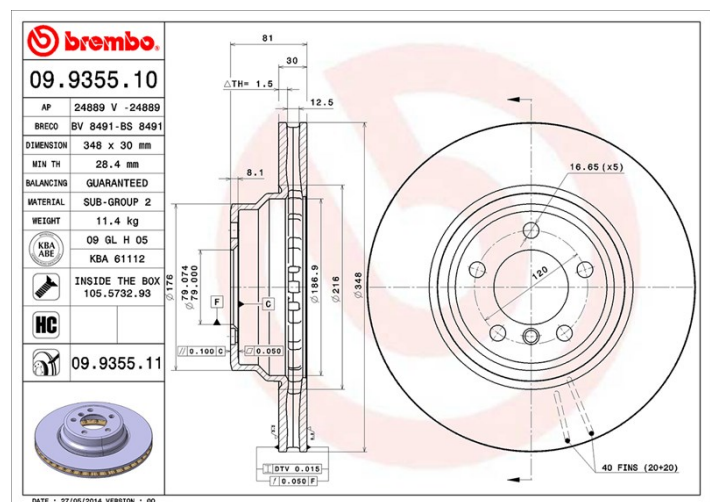


Brand part numbers

Brembo
09.9355.10

AP
24889

Breco
BS 8491



Technical specifications

High Carbon disc (HC)

Thanks to the high percentage of carbon in the chemical composition of the cast iron, the HC disc provides greater damping coefficient, able to reduce vibration and noise while driving.



Disc with fixing screw

By supplying the fixing screw in the disc box, Brembo provides extra help to the mechanic if the original screw is rusty or worn to such an extent as to prevent or make it difficult to reuse.



Compatible vehicles

BMW

Model	Type	Kw	Year
7 (E65, E66, E67)	730 d	160	06/02 02/05
7 (E65, E66, E67)	730 d	150	06/02 07/08
7 (E65, E66, E67)	730 d	155	10/02 07/08
7 (E65, E66, E67)	730 Ld	170	07/05 08/08
7 (E65, E66, E67)	735 i	225	03/05 12/09
7 (E65, E66, E67)	740 d	190	10/02 02/05

7 (E65, E66, E67)	740 i, Li	225	07/05 07/08
7 (E65, E66, E67)	745 i, Li	245	11/01 07/08
7 (E65, E66, E67)	750 i, Li	270	03/05 08/08

OE Part number

Compatible OE codes

BMW	34116750267
BMW	34116864057