

Disc technical data

Axle Front

Diameter
344 mm

Overall height (A)
76 mm

Centring diameter (B)
79 mm

Number of holes (C)
5

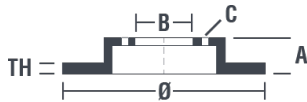
Thickness (TH)
30 mm

Minimum thickness
27 mm

Tightening torque
140 Nm

Unit per box
1

EANCode
8020584014523

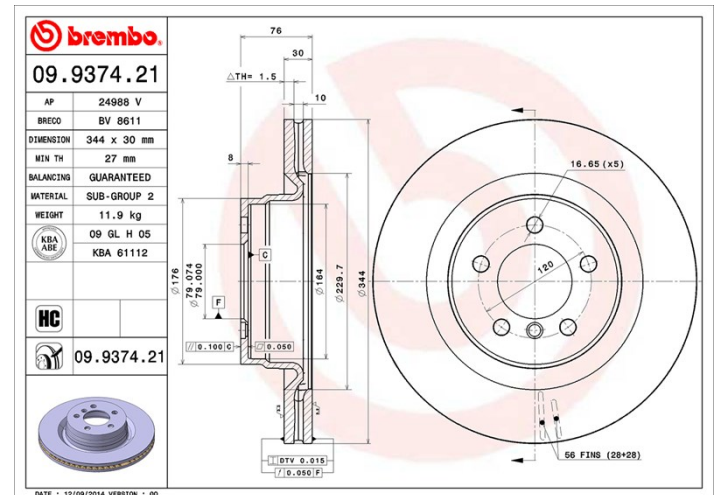


Brand part numbers

Brembo
09.9374.21

AP
24988 V

Breco
BV 8611



Technical specifications

High Carbon disc (HC)

Thanks to the high percentage of carbon in the chemical composition of the cast iron, the HC disc provides greater damping coefficient, able to reduce vibration and noise while driving.



UV Disc

The UV coating process provides a superior corrosion resistance and full disc protection.



Compatible vehicles

LAND ROVER			
Model	Type	Kw	Year
RANGE ROVER III (L322)	3.0 D 4x4	130	03/02 08/12
RANGE ROVER III (L322)	4.4 4x4	210	03/02 08/05
RANGE ROVER III (L322)	4.4 4x4	225	05/05 08/12
RANGE ROVER III (L322)	4.4 4x4	220	08/04 08/12
RANGE ROVER III (L322)	4.4 D 4x4	230	07/10 08/12

OE Part number

Compatible OE codes

LAND ROVER	SDB500181
------------	-----------

LAND ROVER	SDB500182
------------	-----------