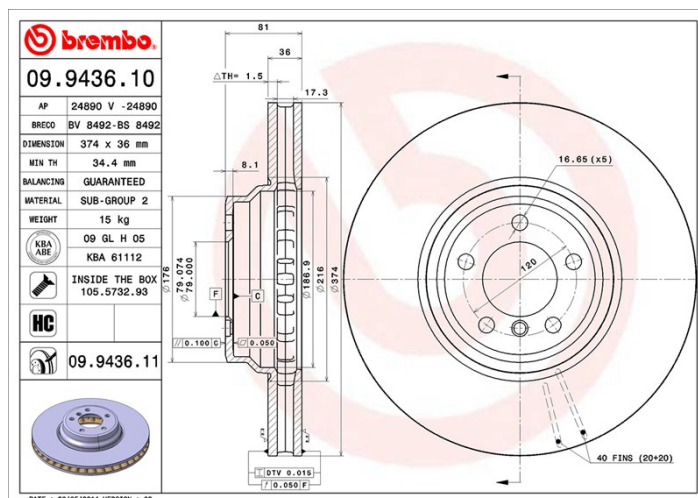
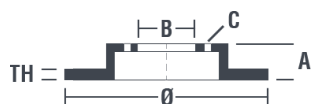


## Disc technical data

<b>Axle</b> Front	<b>Diameter</b> 374 mm
<b>Overall height (A)</b> 81 mm	<b>Centring diameter (B)</b> 79 mm
<b>Number of holes (C)</b> 5	<b>Thickness (TH)</b> 36 mm
<b>Minimum thickness</b> 34,4 mm	<b>Tightening torque</b> 140 Nm
<b>Unit per box</b> 1	<b>EANCode</b> 8020584943618



## Brand part numbers

<b>Brembo</b> 09.9436.10	<b>AP</b> 24890	<b>Breco</b> BS 8492
-----------------------------	--------------------	-------------------------

## Technical specifications

### High Carbon disc (HC)

Thanks to the high percentage of carbon in the chemical composition of the cast iron, the HC disc provides greater damping coefficient, able to reduce vibration and noise while driving.

**HC**

### Disc with fixing screw

By supplying the fixing screw in the disc box, Brembo provides extra help to the mechanic if the original screw is rusty or worn to such an extent as to prevent or make it difficult to reuse.



## Compatible vehicles

### BMW

Model	Type	Kw	Year
7 (E65, E66, E67)	745 d	220	03/05 08/05
7 (E65, E66, E67)	745 d	242	07/05 07/08
7 (E65, E66, E67)	760 i, Li	327	01/03 08/08

## OE Part number

### Compatible OE codes

BMW	34116753091
BMW	34116766107