

Disc 09.9464.24

 **brembo**
AFTERMARKET

Disc technical data

Axle Front

Diameter
278 mm

Overall height (A)
48,5 mm

Centring diameter (B)
72 mm

Number of holes (C)
5

Thickness (TH)
25 mm

Minimum thickness
23 mm

Tightening torque 
103 Nm

Unit per box
2

EANCode
8020584946428



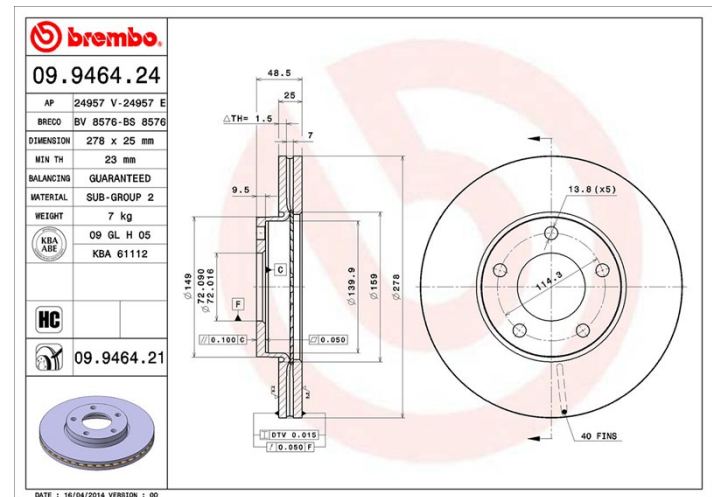


Brand part numbers

Brembo
09.9464.24

AP
24957 E

Breco
BS 8576



Technical specifications

High Carbon disc (HC)

Thanks to the high percentage of carbon in the chemical composition of the cast iron, the HC disc provides greater damping coefficient, able to reduce vibration and noise while driving.

HC

Compatible vehicles

MAZDA			
Model	Type	Kw	Year
3 (BK)	1.4	62	10/03 06/09
3 (BK)	1.6	79	01/07 12/09
3 (BK)	1.6	77	10/03 06/09
3 (BK)	1.6 DI Turbo	80	06/04 06/09
3 (BK)	1.6 MZ-CD	66	06/06 12/09
3 (BL)	1.6 MZR	79	01/10 12/13
3 (BL)	1.6 MZR	77	12/08 09/14

3 (BL)	1.6 MZR CD	85	09/10 05/13
3 (BL)	1.6 MZR CD	80	12/08 05/13
3 (BL)	2.0 DISI (BLEFP)	110	05/09 02/12
3 Saloon (BK)	1.6	77	02/04 06/09
3 Saloon (BK)	1.6 DI Turbo	80	06/04 06/09
3 Saloon (BL)	1.6 MZR	77	02/09 09/14
3 Saloon (BL)	1.6 MZR CD	85	09/10 05/13
3 Saloon (BL)	1.6 MZR CD (BL12)	80	12/08 05/13
3 Saloon (BL)	2.0	113	09/11 09/14
5 (CR19)	1.8	85	02/05 05/10
5 (CR19)	2.0	107	02/05 05/10
5 (CR19)	2.0 CD	81	02/05 05/10
5 (CR19)	2.0 CD	105	02/05 05/10
5 (CR19)	2.3	115	02/05 05/10
5 (CR19)	2.3	122	02/05 09/08
5 (CW)	1.6 CD	85	09/10 -
5 (CW)	1.8 MZR	85	09/10 -
5 (CW)	2.0	108	01/11 -
5 (CW)	2.0	106	06/10 -
5 (CW)	2.0	111	08/14 -
5 (CW)	2.0	110	09/10 -
5 (CW)	2.5	117	09/11 -

MAZDA (CHANGAN)

Model	Type	Kw	Year
3 Hatchback	1.6	79	09/11 12/17
3 Hatchback	2.0	110	09/11 12/17
3 Saloon	1.6	79	09/11 12/17
3 Saloon	2.0	110	09/11 12/17
3 Saloon	2.0	110	02/06 12/11

OE Part number

Compatible OE codes

MAZDA

BP4Y3325XB

MAZDA

BP4Y3325XC

MAZDA

BP4Y3325XD

MAZDA

C24Y3325XB

MAZDA

C24Y3325XC

MAZDA

C24Y3325XD
