

Disc technical data

Axle Front

Diameter
300 mm

Overall height (A)
48,5 mm

Centring diameter (B)
72 mm

Number of holes (C)
5

Thickness (TH)
25 mm

Minimum thickness
23 mm

Tightening torque
103 Nm

Unit per box
2

EANCode
8020584030578

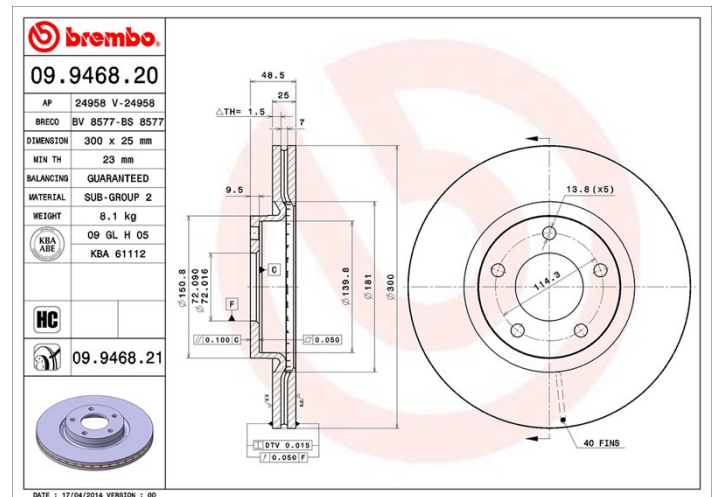


Brand part numbers

Brembo
09.9468.21

AP
24958 V

Breco
BV 8577



Technical specifications

High Carbon disc (HC)

Thanks to the high percentage of carbon in the chemical composition of the cast iron, the HC disc provides greater damping coefficient, able to reduce vibration and noise while driving.

HC

UV Disc

The UV coating process provides a superior corrosion resistance and full disc protection.



Compatible vehicles

MAZDA			
Model	Type	Kw	Year
3 (BK)	2.0	110	10/03 12/09
3 (BK)	2.0 MZR-CD	105	12/06 06/09
3 (BK)	2.3 MZR	115	03/04 03/09
3 (BK)	2.3 MZR Sport	126	10/03 06/09
3 (BL)	2.0 DISI (BLEFP)	110	05/09 02/12

3 (BL)	2.0 MZR	110	01/09 09/14
3 (BL)	2.0 MZR	108	06/10 09/14
3 (BL)	2.0 MZR DISI	111	12/08 05/13
3 (BL)	2.2 MZR CD	110	01/09 05/13
3 (BL)	2.2 MZR CD	136	01/09 05/13
3 (BL)	2.5	122	03/09 09/14
3 Saloon (BK)	2.0	104	04/04 06/06
3 Saloon (BK)	2.0	110	10/03 12/09
3 Saloon (BK)	2.0 MZR-CD	105	12/06 06/09
3 Saloon (BK)	2.3	118	03/04 03/09
3 Saloon (BL)	2.0 MZR	110	03/09 09/14
3 Saloon (BL)	2.0 MZR DISI	111	02/09 05/13
3 Saloon (BL)	2.2 MZR CD	110	01/09 09/14
3 Saloon (BL)	2.2 MZR CD	136	06/09 05/13
3 Saloon (BL)	2.5	122	05/09 09/14
5 (CR19)	1.8	85	02/05 05/10
5 (CR19)	2.0	107	02/05 05/10
5 (CR19)	2.0 CD	81	02/05 05/10
5 (CR19)	2.0 CD	105	02/05 05/10
5 (CR19)	2.3	115	02/05 05/10
5 (CR19)	2.3	122	02/05 09/08
5 (CW)	1.6 CD	85	09/10 -
5 (CW)	1.8 MZR	85	09/10 -
5 (CW)	2.0	108	01/11 -
5 (CW)	2.0	106	06/10 -
5 (CW)	2.0	111	08/14 -
5 (CW)	2.0	110	09/10 -
5 (CW)	2.5	117	09/11 -

OE Part number

Compatible OE codes

MAZDA

BP6Y3325XD

MAZDA

BP6Y3325XE

MAZDA

BP6Y3325XF

MAZDA

C26Y3325XA

MAZDA

C26Y3325XB

MAZDA

C26Y3325XC
